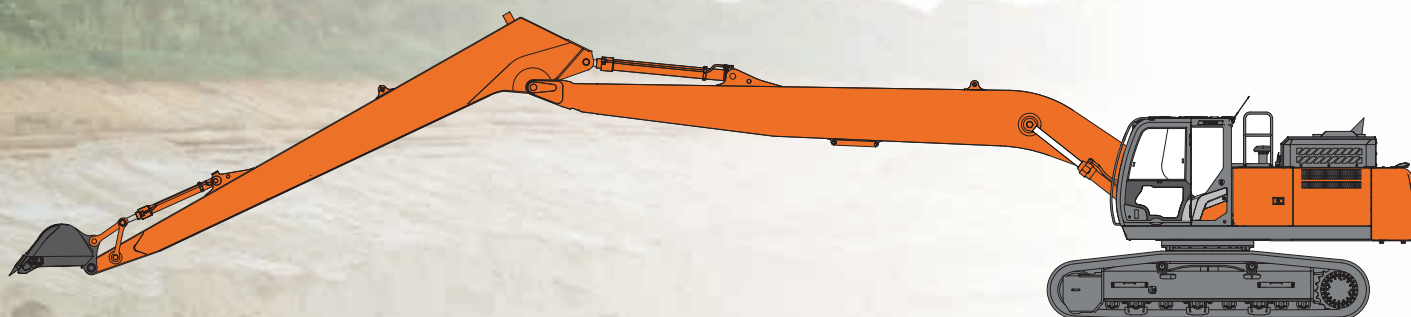


SUPER LONG FRONT

ZAXIS 250_{LC}/ZAXIS 300_{LC}/ZAXIS 350_{LC}

A P P L I C A T I O N & A T T A C H M E N T



HYDRAULIC EXCAVATOR

Model code : ZX250LC-7 / ZX250LCN-7
Engine rated power : 140 kW (ISO14396)
Operating weight : 28 700 – 30 000 kg
Bucket ISO heaped : 0.40-0.66 m³

Model code : ZX300LC-7 / ZX300LCN-7
Engine rated power : 197 kW (ISO14396)
Operating weight : 33 000 – 34 300 kg
Bucket ISO heaped : 0.40-0.82 m³

Model code : ZX350LC-7 / ZX350LCN-7
Engine rated power : 210 kW (ISO14396)
Operating weight : 38 100 – 39 500 kg
Bucket ISO heaped : 0.40-1.40 m³

SPECIFICATIONS

ZX250LC / ZX250LCN

ENGINE

Model	Isuzu 4HK1X
Type	4-cycle water-cooled, common rail direct injection
Aspiration	Variable geometry turbocharged, intercooled, cooled EGR
Aftertreatment	DOC+CSF+SCR system
No. of cylinders	4
Rated power	
ISO 14396	140 kW at 2 000 min ⁻¹
ISO 9249, net	132 kW at 2 000 min ⁻¹
SAE J1349, net	132 kW at 2 000 min ⁻¹
Maximum torque	676 Nm at 1 800 min ⁻¹
Piston displacement	5.193 L
Bore and stroke	115 mm x 125 mm
Batteries	2 x 12 V / 120 Ah

HYDRAULIC SYSTEM

Hydraulic Pumps

Main pumps	3 variable displacement axial piston pumps
Maximum oil flow	2 x 224 L/min 1 x 194 L/min
Pilot pump	1 gear pump
Maximum oil flow	35.5 L/min

Hydraulic Motors

Travel	2 variable displacement axial piston motors
Swing	1 axial piston motor

Relief Valve Settings

Implement circuit	34.3 MPa
Swing circuit	32.4 MPa
Travel circuit	34.3 MPa
Pilot circuit	3.9 MPa
Power boost	38.0 MPa

Hydraulic Cylinders

ZX250LC / ZX250LCN TYPE HE15LD & HE18LD SUPER LONG FRONT

	Quantity	Bore	Rod diameter
Boom	2	125 mm	90 mm
Arm	1	150 mm	105 mm
Bucket	1	105 mm	75 mm

UPPERSTRUCTURE

Revolving Frame

D-section frame for resistance to deformation.

Swing Device

Axial piston motor with planetary reduction gear is bathed in oil. Swing circle is single-row. Swing parking brake is spring-set/hydraulic-released disc type.

Swing speed	7.2 min ⁻¹ (rpm)
Swing torque	61.0 kNm (6 220 kgfm)

UNDERCARRIAGE

Tracks

Heat-treated connecting pins with dirt seals. Hydraulic (grease) track adjusters with shock-absorbing recoil springs.

Numbers of Rollers and Shoes on Each Side

	ZX250LC / ZX250LCN
Upper rollers	2
Lower rollers	9
Track shoes	51
Track guards	3

Travel Device

Each track driven by 2-speed axial piston motor. Parking brake is spring-set/hydraulic-released disc type. Automatic transmission system: High-Low.

Travel speeds	High : 0 to 5.5 km/h Low : 0 to 3.4 km/h
Maximum traction force	215 kN
Gradeability	70% (35 degree) continuous

SOUND LEVEL

Sound level in cab according to ISO 6396 LpA 67 dB(A)
External sound level according to ISO 6395 and
EU Directive 2000/14/EC LwA 101 dB(A)

SERVICE REFILL CAPACITIES

	ZX250LC / ZX250LCN
Fuel tank	510.0 L
Engine coolant	31.0 L
Engine oil	29.0 L
Swing device	9.3 L
Travel device (each side)	7.8 L
Hydraulic system	294.0 L
Hydraulic oil tank	156.0 L
DEF/AdBlue® tank	70.0 L

SPECIFICATIONS

ZX250LC / ZX250LCN

WEIGHTS AND GROUND PRESSURE

ZX250LC TYPE HE15LD SUPER LONG FRONT:

Equipped with 8.50 m monoblock boom, 5.93 m arm and 0.66 m³ bucket (SAE, PCSA heaped), 7 750 kg counterweight.

Shoe type	Shoe width	Operating weight	Ground pressure
Triple grouser	600 mm	28 700 kg	57 kPa (0.58 kgf/cm ²)
	700 mm	29 100 kg	50 kPa (0.51 kgf/cm ²)
	800 mm	29 400 kg	44 kPa (0.45 kgf/cm ²)
	900 mm	29 900 kg	40 kPa (0.41 kgf/cm ²)

ZX250LCN TYPE HE15LD SUPER LONG FRONT:

Equipped with 8.50 m monoblock boom, 5.93 m arm and 0.66 m³ bucket (SAE, PCSA heaped), 7 750 kg counterweight.

Shoe type	Shoe width	Operating weight	Ground pressure
Triple grouser	600 mm	28 700 kg	57 kPa (0.58 kgf/cm ²)
	700 mm	29 000 kg	50 kPa (0.51 kgf/cm ²)
	800 mm	29 300 kg	44 kPa (0.45 kgf/cm ²)
	900 mm	29 800 kg	40 kPa (0.41 kgf/cm ²)

ZX250LC TYPE HE18LD SUPER LONG FRONT:

Equipped with 10.23 m monoblock boom, 7.28 m arm and 0.4 m³ bucket (SAE, PCSA heaped), 7 750 kg counterweight.

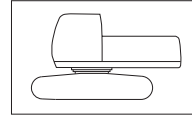
Shoe type	Shoe width	Operating weight	Ground pressure
Triple grouser	600 mm	28 900 kg	58 kPa (0.59 kgf/cm ²)
	700 mm	29 200 kg	50 kPa (0.51 kgf/cm ²)
	800 mm	29 500 kg	44 kPa (0.45 kgf/cm ²)
	900 mm	30 000 kg	40 kPa (0.41 kgf/cm ²)

ZX250LCN TYPE HE18LD SUPER LONG FRONT:

Equipped with 10.23 m monoblock boom, 7.28 m arm and 0.4 m³ bucket (SAE, PCSA heaped), 7 750 kg counterweight.

Shoe type	Shoe width	Operating weight	Ground pressure
Triple grouser	600 mm	28 800 kg	58 kPa (0.59 kgf/cm ²)
	700 mm	29 100 kg	50 kPa (0.51 kgf/cm ²)
	800 mm	29 400 kg	44 kPa (0.45 kgf/cm ²)
	900 mm	29 900 kg	40 kPa (0.41 kgf/cm ²)

Basic Machine Weight and Overall width



Excluding front end attachment, additional counterweight, fuel, hydraulic oil and coolant etc.
Including counterweight.

ZX250LC

Shoe width	Weight	Overall width
600 mm	23 400 kg	3 190 mm
700 mm	23 700 kg	3 290 mm
800 mm	24 000 kg	3 390 mm
900 mm	24 500 kg	3 490 mm

ZX250LCN

Shoe width	Weight	Overall width
600 mm	23 300 kg	2 990 mm
700 mm	23 600 kg	3 090 mm
800 mm	23 900 kg	3 190 mm
900 mm	24 400 kg	3 290 mm

BUCKET SPECIFICATIONS AND COMPATIBILITY

ZX250LC / ZX250LCN

	Capacity ISO heaped	Width Without side cutters	Weight	Recommendation			
				ZX250LC		ZX250LCN	
				HE15LD	HE18LD	HE15LD	HE18LD
Bucket radius 1230 mm	0.40 m ³	720 mm	340 kg	⊙	○	⊙	□
	0.45 m ³	800 mm	370 kg	⊙	□	⊙	□
	0.50 m ³	890 mm	390 kg	⊙	□	⊙	-
	0.59 m ³	950 mm	410 kg	⊙	-	⊙	-
	0.66 m ³	1 030 mm	430 kg	⊙	-	○	-
Slope finishing	-	1 600 mm	430 kg	◇	◇	◇	◇
Max. weight				1 690 kg	1 050 kg	1 560 kg	940 kg

⊙ Suitable for materials with density of 1 800 kg/m³ or less

○ Suitable for materials with density of 1 600 kg/m³ or less

□ Suitable for materials with density of 1 100 kg/m³ or less

◇ Slope-finishing service

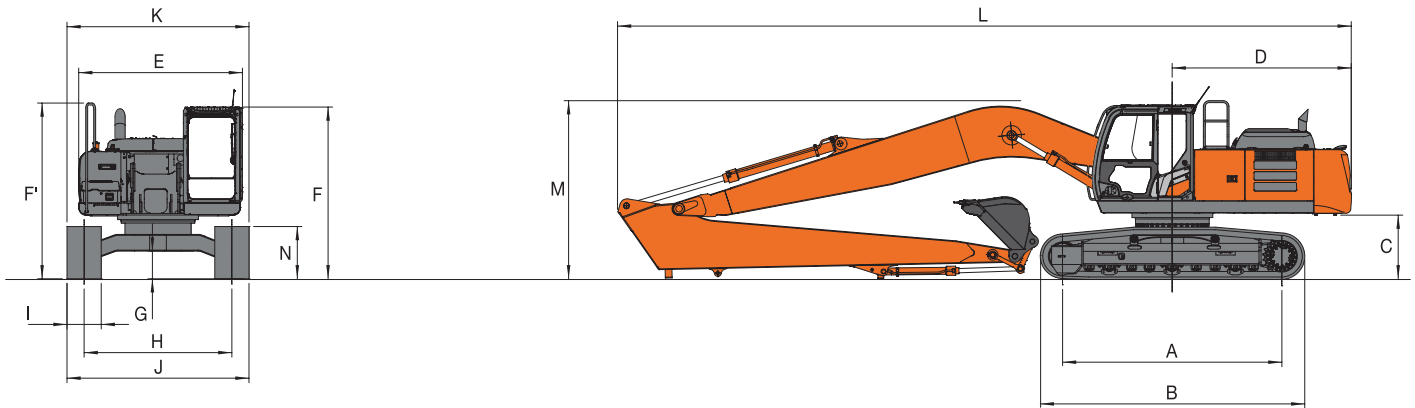
- Not applicable

• Use the bucket in the range where the total weight of bucket and loading material does not exceed maximum weight described above.

SPECIFICATIONS

ZX250LC / ZX250LCN

DIMENSIONS



Unit: mm

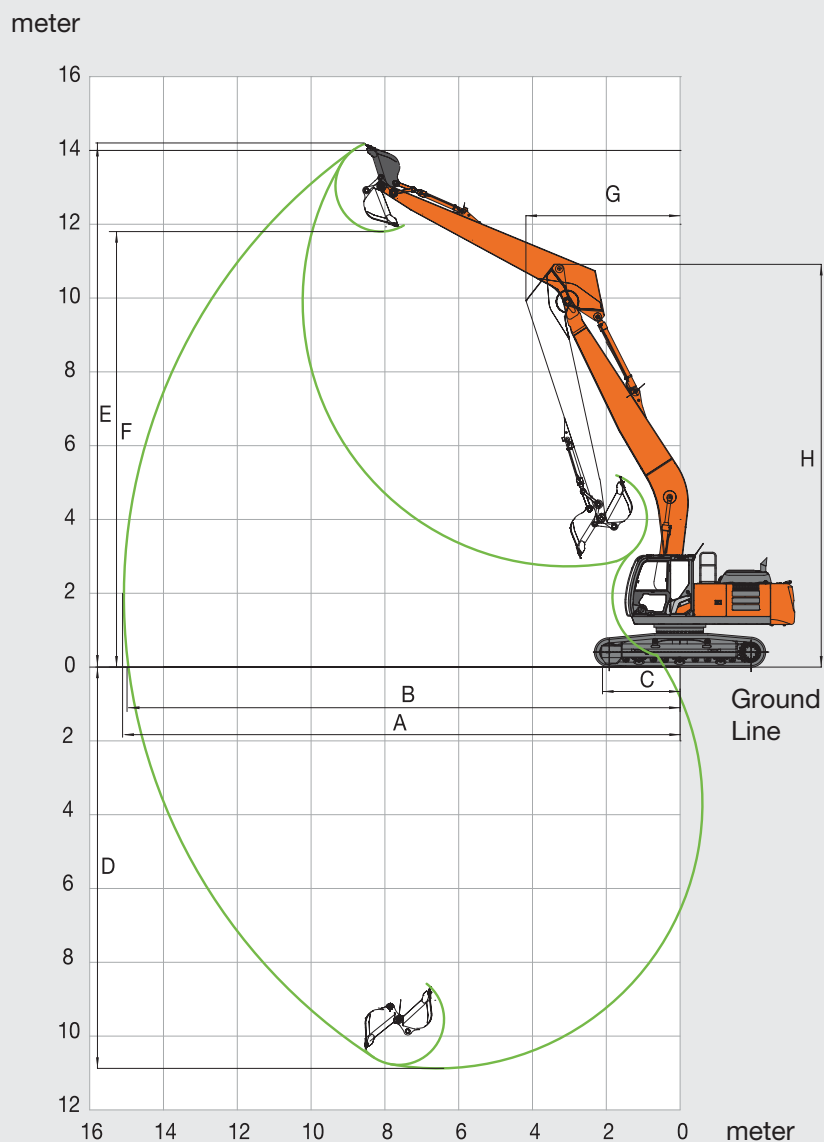
	ZX250LC TYPE HE15LD	ZX250LCN TYPE HE15LD
A Distance between tumblers	3 850	3 850
B Undercarriage length	4 640	4 640
*C Counterweight clearance	1 050	1 050
D Rear-end swing radius	3 140	3 140
E Overall width of upperstructure	2 870	2 870
F Overall height of cab	3 010	3 010
*G Min. ground clearance	460	460
H Track gauge	2 590	2 390
I Track shoe width	600 / 700 / 800 / 900	600 / 700 / 800 / 900
J Undercarriage width	3 190 / 3 290 / 3 390 / 3 490	2 990 / 3 090 / 3 190 / 3 290
K Overall width	3 190 / 3 290 / 3 390 / 3 490	2 990 / 3 090 / 3 190 / 3 290
L Overall length	12 870	12 870
M Overall height of boom	3 140	3 140
N Track height with triple grouser shoes	920	920

•*: Excluding track shoe lug

SPECIFICATIONS

ZX250LC / ZX250LCN

WORKING RANGES



Unit: mm

	ZX250LC / ZX250LCN TYPE HE15LD
A Max. digging reach	15 070
B Max. digging reach (on ground)	14 950
C Max. level crowding distance	2 110
D Max. digging depth	10 870
E Max. cutting height	14 180
F Max. dumping height	11 800
G Min. swing radius	4 180
H Min. Swing radius height	10 920
Bucket digging force ISO	78 kN (7 960 kgf)
Arm crowd force ISO	69 kN (7 040 kgf)

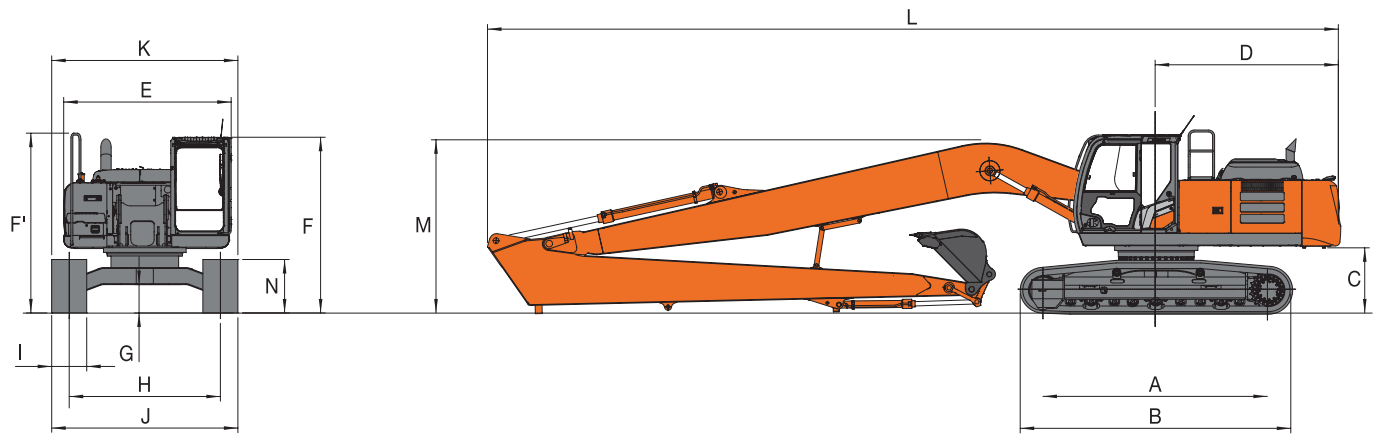
• Excluding track shoe lug

Note: Working range can be changed, depending on bucket size.

SPECIFICATIONS

ZX250LC / ZX250LCN

DIMENSIONS



Unit: mm

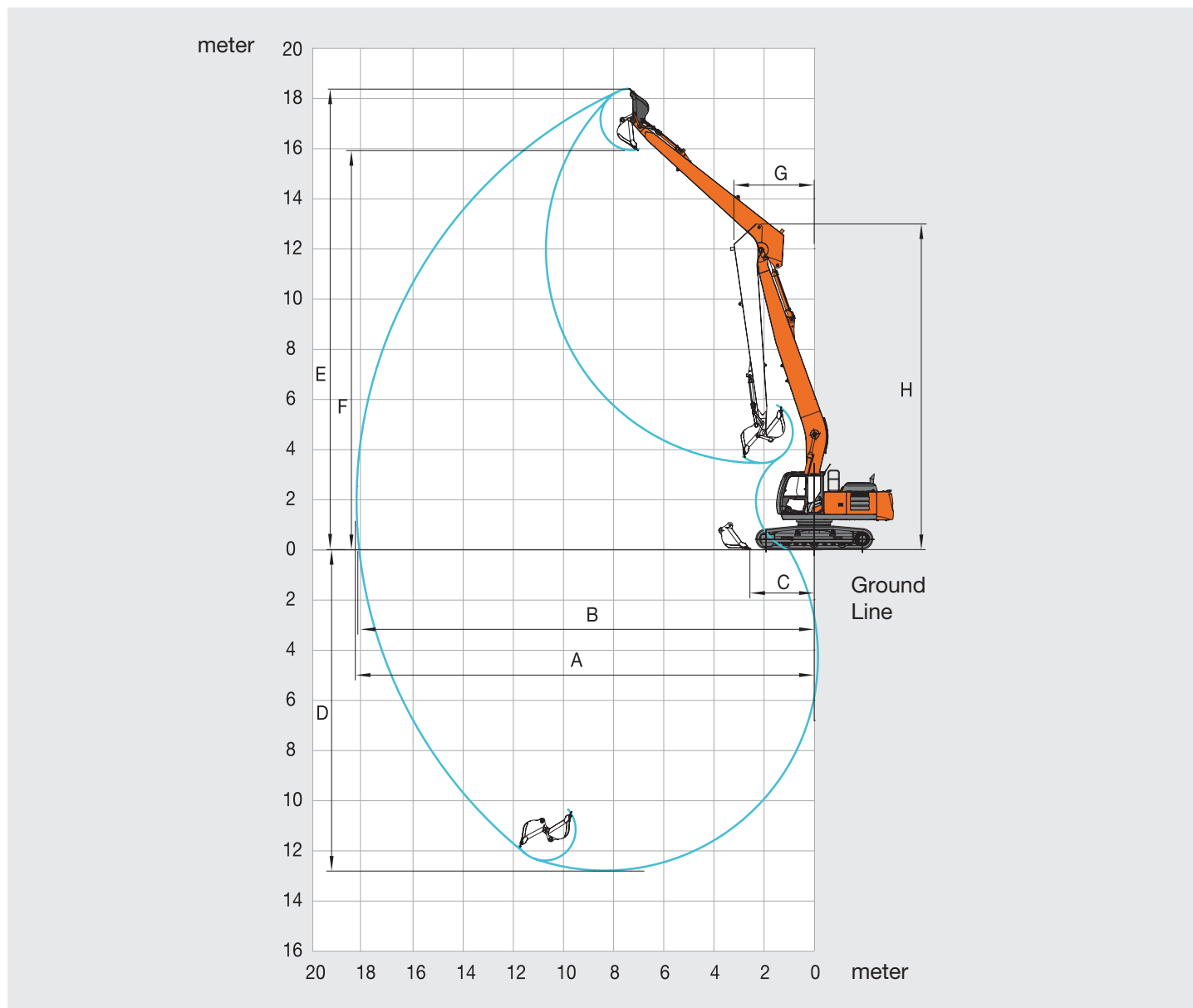
	ZX250LC TYPE HE18LD	ZX250LCN TYPE HE18LD
A Distance between tumbler	3 850	3 850
B Undercarriage length	4 640	4 640
*C Counterweight clearance	1 050	1 050
D Rear-end swing radius	3 140	3 140
E Overall width of upperstructure	2 870	2 870
F Overall height of cab	3 010	3 010
*G Min. ground clearance	460	460
H Track gauge	2 590	2 390
I Track shoe width	600 / 700 / 800 / 900	600 / 700 / 800 / 900
J Undercarriage width	3 190 / 3 290 / 3 390 / 3 490	2 990 / 3 090 / 3 190 / 3 290
K Overall width	3 190 / 3 290 / 3 390 / 3 490	2 990 / 3 090 / 3 190 / 3 290
L Overall length	14 580	14 580
M Overall height of boom	3 030	3 030
N Track height with triple grouser shoes	920	920

•* : Excluding track shoe lug

SPECIFICATIONS

ZX250LC / ZX250LCN

WORKING RANGES



Unit: mm

	ZX250LC / ZX250LCN TYPE HE18LD
A Max. digging reach	18 200
B Max. digging reach (on ground)	18 100
C Max. level crowding distance	2 560
D Max. digging depth	12 760
E Max. cutting height	18 360
F Max. dumping height	15 910
G Min. swing radius	3 210
H Min. Swing radius height	12 990
Bucket digging force ISO	74 kN (7 550 kgf)
Arm crowd force ISO	49 kN (5 000 kgf)

• Excluding track shoe lug

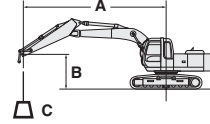
Note: Working range can be changed, depending on bucket size.

MACHINE CAPACITIES

ZX250LC / ZX250LCN

Metric measure

- Notes:
1. Ratings are based on ISO 10567.
 2. Machine capacity of the ZAXIS series does not exceed 75% of tipping load with the machine on firm, level ground or 87% full hydraulic capacity.
 3. The load point is the center-line of the bucket pivot mounting pin on the arm.
 4. * Indicates load limited by hydraulic capacity.
 5. 0m = Ground.
- For machine capacities, subtract bucket and quick hitch weight from machine capacities.



- A: Load radius
B: Load point height
C: Machine capacity

ZX250LC TYPE HE15LD SUPER LONG FRONT



Rating over-front



Rating over-side or 360 degrees

Unit: kg

Conditions	Load point height (m)	Load radius (m)									
		3.0		4.5		6.0		7.5		9.0	
Boom 8.50 m Arm 5.93 m Counterweight 7 750 kg 600 mm grouser shoe	12.0									2 230*	2 230*
	10.5									2 110*	2 110*
	9.0									2 120*	2 120*
	7.5									2 230*	2 230*
	6.0									2 410*	2 410*
	4.5									2 660*	2 660*
	3.0	4 290*	4 290*	6 180*	6 180*	4 430*	4 430*	3 500*	3 500*	2 940*	2 940*
	1.5			7 440*	7 440*	5 140*	5 140*	3 940*	3 940*	3 220*	3 220*
	0 (Ground)	2 320*	2 320*	5 900*	5 900*	5 660*	5 660*	4 290*	4 290*	3 460*	3 460*
	-1.5	3 430*	3 430*	6 140*	6 140*	5 940*	5 940*	4 520*	4 420*	3 630*	3 450*
	-3.0	4 700*	4 700*	7 150*	7 150*	5 980*	5 880*	4 610*	4 320*	3 700*	3 370*
	-4.5	6 120*	6 120*	7 760*	7 760*	5 810*	5 810*	4 530*	4 310*	3 650*	3 360*
	-6.0	7 780*	7 780*	7 070*	7 070*	5 400*	5 400*	4 260*	4 260*	3 420*	3 410*
-7.5	8 140*	8 140*	6 020*	6 020*	4 690*	4 690*	3 710*	3 710*	2 920*	2 920*	
-9.0			4 480*	4 480*	3 540*	3 540*	2 730*	2 730*			

Conditions	Load point height (m)	Load radius (m)						At max. reach		
		10.5		12.0		13.5				meter
Boom 8.50 m Arm 5.93 m Counterweight 7 750 kg 600 mm grouser shoe	12.0							1 980*	1 980*	9.4
	10.5	2 090*	2 090*					1 820*	1 820*	10.8
	9.0	2 050*	2 050*					1 760*	1 760*	11.9
	7.5	2 100*	2 100*	2 020*	2 020*			1 730*	1 730*	12.6
	6.0	2 220*	2 220*	2 080*	2 080*			1 740*	1 740*	13.2
	4.5	2 370*	2 370*	2 170*	2 170*	1 960*	1 960*	1 780*	1 780*	13.6
	3.0	2 550*	2 550*	2 290*	2 290*	2 090*	2 010	1 870*	1 870*	13.8
	1.5	2 740*	2 740*	2 400*	2 400*	2 150*	1 970	1 980*	1 880	13.8
	0 (Ground)	2 900*	2 870	2 500*	2 330	2 190*	1 920	2 150*	1 880	13.7
	-1.5	3 020*	2 770	2 570*	2 270			2 210*	1 920	13.4
	-3.0	3 050*	2 720	2 560*	2 250			2 270*	2 030	12.9
	-4.5	2 980*	2 720	2 420*	2 280			2 330*	2 220	12.2
	-6.0	2 730*	2 730*					2 370*	2 370*	11.3
-7.5							2 350*	2 350*	10.1	
-9.0							2 210*	2 210*	8.4	

ZX250LCN TYPE HE15LD SUPER LONG FRONT



Rating over-front



Rating over-side or 360 degrees

Unit: kg

Conditions	Load point height (m)	Load radius (m)									
		3.0		4.5		6.0		7.5		9.0	
Boom 8.50 m Arm 5.93 m Counterweight 7 750 kg 600 mm grouser shoe	12.0									2 230*	2 230*
	10.5									2 110*	2 110*
	9.0									2 120*	2 120*
	7.5									2 230*	2 230*
	6.0									2 410*	2 410*
	4.5									2 660*	2 660*
	3.0	4 290*	4 290*	6 180*	6 180*	4 430*	4 430*	3 500*	3 500*	2 940*	2 940*
	1.5			7 440*	7 440*	5 140*	5 140*	3 940*	3 940*	3 220*	3 220*
	0 (Ground)	2 320*	2 320*	5 900*	5 900*	5 660*	5 660*	4 290*	4 280	3 460*	3 320
	-1.5	3 430*	3 430*	6 140*	6 140*	5 940*	5 500	4 530*	4 080	3 630*	3 180
	-3.0	4 700*	4 700*	7 150*	7 150*	5 980*	5 400	4 610*	3 980	3 700*	3 100
	-4.5	6 120*	6 120*	7 760*	7 760*	5 810*	5 420	4 530*	3 970	3 650*	3 090
	-6.0	7 780*	7 780*	7 070*	7 070*	5 400*	5 400*	4 260*	4 040	3 420*	3 140
-7.5	8 140*	8 140*	6 020*	6 020*	4 690*	4 690*	3 710*	3 710*	2 920*	2 920*	
-9.0			4 480*	4 480*	3 540*	3 540*	2 720*	2 720*			

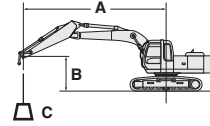
Conditions	Load point height (m)	Load radius (m)						At max. reach		
		10.5		12.0		13.5				meter
Boom 8.50 m Arm 5.93 m Counterweight 7 750 kg 600 mm grouser shoe	12.0							1 980*	1 980*	9.4
	10.5	2 090*	2 090*					1 820*	1 820*	10.8
	9.0	2 050*	2 050*					1 760*	1 760*	11.9
	7.5	2 100*	2 100*	2 020*	2 020*			1 730*	1 730*	12.6
	6.0	2 220*	2 220*	2 080*	2 080*			1 740*	1 740*	13.2
	4.5	2 350*	2 350*	2 170*	2 170*	1 960*	1 900	1 780*	1 780*	13.6
	3.0	2 550*	2 550*	2 290*	2 290*	2 090*	1 860	1 870*	1 780	13.8
	1.5	2 740*	2 740*	2 400*	2 230	2 150*	1 810	1 980*	1 730	13.8
	0 (Ground)	2 900*	2 650	2 500*	2 150	2 190*	1 770	2 150*	1 720	13.7
	-1.5	3 020*	2 550	2 570*	2 090			2 210*	1 760	13.4
	-3.0	3 050*	2 500	2 560*	2 070			2 270*	1 870	12.9
	-4.5	2 980*	2 500	2 420*	2 090			2 330*	2 040	12.2
	-6.0	2 730*	2 560					2 370*	2 340	11.3
-7.5							2 350*	2 350*	10.1	
-9.0							2 210*	2 210*	8.4	

MACHINE CAPACITIES

ZX250LC / ZX250LCN

Metric measure

- Notes: 1. Ratings are based on ISO 10567.
 2. Machine capacity of the ZAXIS series does not exceed 75% of tipping load with the machine on firm, level ground or 87% full hydraulic capacity.
 3. The load point is the center-line of the bucket pivot mounting pin on the arm.
 4. * Indicates load limited by hydraulic capacity.
 5. 0m = Ground.
 For machine capacities, subtract bucket and quick hitch weight from machine capacities.



A: Load radius
 B: Load point height
 C: Machine capacity

ZX250LC TYPE HE18LD SUPER LONG FRONT



Rating over-front



Rating over-side or 360 degrees

Unit: kg

Conditions	Load point height (m)	Load radius (m)											
		3.0		4.5		6.0		7.5		9.0		10.5	
Boom 10.23 m	15.0											1 580*	1 580*
Arm 7.28 m	13.5											1 650*	1 650*
Counterweight	12.0												
7 750 kg	10.5											1 620*	1 620*
600 mm grouser shoe	9.0											1 680*	1 680*
	7.5											1 770*	1 770*
	6.0											1 890*	1 890*
	4.5											2 160*	2 160*
	3.0											2 370*	2 370*
	1.5											2 590*	2 590*
	0 (Ground)	640*	640*	2 200*	2 200*	5 990*	5 990*	4 170*	4 170*	3 190*	3 190*	2 800*	2 800*
	-1.5	1 350*	1 350*	2 200*	2 200*	5 000*	5 000*	4 660*	4 660*	3 510*	3 510*	2 800*	2 800*
	-3.0	2 060*	2 060*	3 070*	3 070*	5 120*	5 120*	4 960*	4 960*	3 940*	3 940*	3 090*	3 090*
	-4.5	2 810*	2 810*	3 810*	3 810*	4 970*	4 970*	4 680*	4 680*	3 710*	3 710*	3 120*	2 890*
	-6.0	3 620*	3 620*	4 680*	4 680*	5 410*	5 410*	4 250*	4 250*	3 420*	3 420*	2 790*	2 790*
	-7.5	4 520*	4 520*	5 410*	5 410*	6 000*	6 000*	4 790*	4 790*	3 750*	3 750*	2 970*	2 970*
	-9.0	5 570*	5 570*	6 500*	6 500*	7 200*	7 200*	5 500*	5 500*	4 250*	4 250*	3 420*	3 420*
	-10.5			3 380*	3 380*	2 810*	2 810*	2 320*	2 320*	1 870*	1 870*	1 420*	1 420*

Conditions	Load point height (m)	Load radius (m)						At max. reach				
		12.0		13.5		15.0		16.5		meter		
Boom 10.23 m	15.0									1 450*	1 450*	10.6
Arm 7.28 m	13.5	1 570*	1 570*							1 300*	1 300*	12.3
Counterweight	12.0	1 510*	1 510*	1 280*	1 280*					1 220*	1 220*	13.6
7 750 kg	10.5	1 510*	1 510*	1 420*	1 420*					1 170*	1 170*	14.6
600 mm grouser shoe	9.0	1 540*	1 540*	1 430*	1 430*	1 350*	1 350*			1 130*	1 130*	15.4
	7.5	1 600*	1 600*	1 460*	1 460*	1 360*	1 360*			1 130*	1 130*	16.0
	6.0	1 680*	1 680*	1 510*	1 510*	1 390*	1 390*			1 150*	1 150*	16.4
	4.5	1 770*	1 770*	1 580*	1 580*	1 430*	1 430*			1 170*	1 170*	16.7
	3.0	1 880*	1 880*	1 650*	1 650*	1 470*	1 470*	1 310*	1 310*	1 200*	1 200*	16.9
	1.5	1 980*	1 980*	1 720*	1 720*	1 520*	1 510*	1 350*	1 350*	1 240*	1 240*	16.9
	0 (Ground)	2 060*	2 060*	1 780*	1 780*	1 760*	1 760*	1 350*	1 350*	1 200*	1 200*	16.8
	-1.5	2 130*	2 030*	1 820*	1 820*	1 680*	1 680*	1 400*	1 400*	1 340*	1 340*	16.6
	-3.0	2 160*	1 960*	1 830*	1 830*	1 630*	1 630*	1 550*	1 550*	1 380*	1 380*	16.2
	-4.5	2 140*	1 920*	1 790*	1 790*	1 610*	1 610*	1 480*	1 480*	1 380*	1 380*	15.7
	-6.0	2 050*	1 920*	1 690*	1 690*	1 620*	1 620*			1 330*	1 330*	15.0
	-7.5	1 870*	1 870*	1 470*	1 470*					1 300*	1 300*	14.1
	-9.0	1 530*	1 530*							1 230*	1 230*	12.9
	-10.5									1 080*	1 080*	11.5

ZX250LCN TYPE HE18LD SUPER LONG FRONT



Rating over-front



Rating over-side or 360 degrees

Unit: kg

Conditions	Load point height (m)	Load radius (m)											
		3.0		4.5		6.0		7.5		9.0		10.5	
Boom 10.23 m	15.0											1 580*	1 580*
Arm 7.28 m	13.5											1 650*	1 650*
Counterweight	12.0												
7 750 kg	10.5											1 620*	1 620*
600 mm grouser shoe	9.0											1 680*	1 680*
	7.5											1 770*	1 770*
	6.0											1 890*	1 890*
	4.5											2 160*	2 160*
	3.0											2 370*	2 370*
	1.5											2 590*	2 590*
	0 (Ground)	640*	640*	2 200*	2 200*	5 990*	5 990*	4 170*	4 170*	3 190*	3 190*	2 800*	2 800*
	-1.5	1 350*	1 350*	2 500*	2 500*	4 960*	4 960*	4 790*	4 790*	3 900*	3 900*	3 580*	3 580*
	-3.0	2 060*	2 060*	3 070*	3 070*	5 120*	5 120*	4 660*	4 660*	3 940*	3 940*	3 440*	3 440*
	-4.5	2 810*	2 810*	3 810*	3 810*	4 970*	4 970*	4 650*	4 650*	3 880*	3 880*	3 390*	3 390*
	-6.0	3 620*	3 620*	4 680*	4 680*	5 410*	5 410*	4 680*	4 680*	3 710*	3 710*	3 410*	3 410*
	-7.5	4 520*	4 520*	5 410*	5 410*	6 000*	6 000*	4 790*	4 790*	3 750*	3 750*	3 090*	2 810*
	-9.0	5 570*	5 570*	6 500*	6 500*	7 200*	7 200*	5 500*	5 500*	4 250*	4 250*	3 420*	3 420*
	-10.5			3 380*	3 380*	2 810*	2 810*	2 320*	2 320*	1 870*	1 870*	1 420*	1 420*

Conditions	Load point height (m)	Load radius (m)						At max. reach				
		12.0		13.5		15.0		16.5		meter		
Boom 10.23 m	15.0									1 450*	1 450*	10.6
Arm 7.28 m	13.5	1 570*	1 570*							1 300*	1 300*	12.3
Counterweight	12.0	1 510*	1 510*	1 280*	1 280*					1 220*	1 220*	13.6
7 750 kg	10.5	1 510*	1 510*	1 420*	1 420*					1 170*	1 170*	14.6
600 mm grouser shoe	9.0	1 540*	1 540*	1 430*	1 430*	1 350*	1 350*			1 130*	1 130*	15.4
	7.5	1 600*	1 600*	1 460*	1 460*	1 360*	1 360*			1 130*	1 130*	16.0
	6.0	1 680*	1 680*	1 510*	1 510*	1 390*	1 390*			1 150*	1 150*	16.4
	4.5	1 770*	1 770*	1 580*	1 580*	1 430*	1 430*			1 170*	1 170*	16.7
	3.0	1 880*	1 880*	1 650*	1 650*	1 470*	1 470*	1 310*	1 310*	1 180*	1 180*	16.9
	1.5	1 980*	1 980*	1 720*	1 720*	1 520*	1 510*	1 350*	1 350*	1 110*	1 110*	16.9
	0 (Ground)	2 060*	1 950*	1 780*	1 780*	1 600*	1 600*	1 310*	1 310*	1 080*	1 080*	16.8
	-1.5	2 130*	1 850*	1 820*	1 820*	1 520*	1 520*	1 260*	1 260*	1 340*	1 340*	16.6
	-3.0	2 160*	1 780*	1 830*	1 830*	1 470*	1 470*	1 550*	1 550*	1 240*	1 240*	16.2
	-4.5	2 140*	1 740*	1 790*	1 790*	1 450*	1 450*	1 480*	1 480*	1 240*	1 240*	15.7
	-6.0	2 050*	1 740*	1 690*	1 690*	1 470*	1 470*			1 330*	1 330*	15.0
	-7.5	1 870*	1 780*	1 470*	1 470*					1 300*	1 300*	14.1
	-9.0	1 530*	1 530*							1 230*	1 230*	12.9
	-10.5									1 080*	1 080*	11.5

SPECIFICATIONS

ZX300LC / ZX300LCN

ENGINE

Model	Isuzu 6HK1X
Type	4-cycle water-cooled, common rail direct injection
Aspiration	Variable geometry turbocharged, intercooled, cooled EGR
Aftertreatment	DOC+CSF+SCR system
No. of cylinders	6
Rated power	
ISO 14396	197 kW at 1 900 min ⁻¹
ISO 9249, net	186 kW at 1 900 min ⁻¹
SAE J1349, net	186 kW at 1 900 min ⁻¹
Maximum torque	1 050 Nm at 1 500 min ⁻¹
Piston displacement	7.790 L
Bore and stroke	115 mm x 125 mm
Batteries	2 x 12 V / 128 Ah

HYDRAULIC SYSTEM

Hydraulic Pumps

Main pumps	3 variable displacement axial piston pumps
Maximum oil flow	2 x 236 L/min
Pilot pump	1 x 210 L/min
Pilot pump	1 gear pump
Maximum oil flow	34.7 L/min

Hydraulic Motors

Travel	2 variable displacement axial piston motors
Swing	1 axial piston motor

Relief Valve Settings

Implement circuit	34.3 MPa
Swing circuit	32.4 MPa
Travel circuit	34.3 MPa
Pilot circuit	3.9 MPa
Power boost	38.0 MPa

Hydraulic Cylinders

ZX300LC / ZX300LCN TYPE HE15LD SUPER LONG FRONT

	Quantity	Bore	Rod diameter
Boom	2	135 mm	95 mm
Arm	1	170 mm	115 mm
Bucket	1	115 mm	80 mm

ZX300LC / ZX300LCN TYPE HE18LD SUPER LONG FRONT

	Quantity	Bore	Rod diameter
Boom	2	135 mm	95 mm
Arm	1	150 mm	105 mm
Bucket	1	105 mm	75 mm

UPPERSTRUCTURE

Revolving Frame

D-section frame for resistance to deformation.

Swing Device

Axial piston motor with planetary reduction gear is bathed in oil. Swing circle is single-row. Swing parking brake is spring-set/hydraulic-released disc type.

Swing speed	6.7 min ⁻¹ (rpm)
Swing torque	77.6 kNm (7 913 kgfm)

UNDERCARRIAGE

Tracks

Heat-treated connecting pins with dirt seals. Hydraulic (grease) track adjusters with shock-absorbing recoil springs.

Numbers of Rollers and Shoes on Each Side

	ZX300LC / ZX300LCN
Upper rollers	2
Lower rollers	8
Track shoes	48
Track guards	3

Travel Device

Each track driven by 2-speed axial piston motor. Parking brake is spring-set/hydraulic-released disc type. Automatic transmission system: High-Low.

Travel speeds	High : 0 to 5.2 km/h Low : 0 to 3.1 km/h
Maximum traction force	246 kN
Gradeability	70% (35 degree) continuous

SOUND LEVEL

Sound level in cab according to ISO 6396 LpA 69 dB(A)
External sound level according to ISO 6395 and
EU Directive 2000/14/EC LwA 103 dB(A)

SERVICE REFILL CAPACITIES

	ZX300LC / ZX300LCN
Fuel tank	510.0 L
Engine coolant	48.0 L
Engine oil	48.0 L
Swing device	12.0 L
Travel device (each side)	9.4 L
Hydraulic system	294.0 L
Hydraulic oil tank	163.0 L
DEF/AdBlue [®] tank	70.0 L

SPECIFICATIONS

ZX300LC / ZX300LCN

WEIGHTS AND GROUND PRESSURE

ZX300LC TYPE HE15LD SUPER LONG FRONT:

Equipped with 8.70 m monoblock boom, 6.10 m arm and 0.7 m³ bucket (SAE, PCSA heaped), 7 750 kg counterweight.

Shoe type	Shoe width	Operating weight	Ground pressure
Triple grouser	600 mm	33 100 kg	63 kPa (0.64 kgf/cm ²)
	700 mm	33 500 kg	54 kPa (0.55 kgf/cm ²)
	800 mm	33 900 kg	48 kPa (0.49 kgf/cm ²)
	900 mm	34 300 kg	43 kPa (0.44 kgf/cm ²)

ZX300LCN TYPE HE15LD SUPER LONG FRONT:

Equipped with 8.70 m monoblock boom, 6.10 m arm and 0.7 m³ bucket (SAE, PCSA heaped), 7 750 kg counterweight.

Shoe type	Shoe width	Operating weight	Ground pressure
Triple grouser	600 mm	33 000 kg	62 kPa (0.63 kgf/cm ²)
	700 mm	33 300 kg	54 kPa (0.55 kgf/cm ²)
	800 mm	33 700 kg	48 kPa (0.49 kgf/cm ²)
	900 mm	34 100 kg	43 kPa (0.44 kgf/cm ²)

ZX300LC TYPE HE18LD SUPER LONG FRONT:

Equipped with 10.23 m monoblock boom, 7.28 m arm and 0.4 m³ bucket (SAE, PCSA heaped), 7 750 kg counterweight.

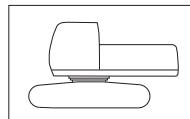
Shoe type	Shoe width	Operating weight	Ground pressure
Triple grouser	600 mm	33 100 kg	63 kPa (0.64 kgf/cm ²)
	700 mm	33 400 kg	54 kPa (0.55 kgf/cm ²)
	800 mm	33 800 kg	48 kPa (0.49 kgf/cm ²)
	900 mm	34 200 kg	43 kPa (0.44 kgf/cm ²)

ZX300LCN TYPE HE18LD SUPER LONG FRONT:

Equipped with 10.23 m monoblock boom, 7.28 m arm and 0.4 m³ bucket (SAE, PCSA heaped), 7 750 kg counterweight.

Shoe type	Shoe width	Operating weight	Ground pressure
Triple grouser	600 mm	32 900 kg	62 kPa (0.63 kgf/cm ²)
	700 mm	33 300 kg	54 kPa (0.55 kgf/cm ²)
	800 mm	33 700 kg	48 kPa (0.49 kgf/cm ²)
	900 mm	34 100 kg	43 kPa (0.44 kgf/cm ²)

Basic Machine Weight and Overall width



Excluding front end attachment, additional counterweight, fuel, hydraulic oil and coolant etc.
Including counterweight.

ZX300LC

Shoe width	Weight	Overall width
600 mm	26 600 kg	3 190 mm
700 mm	27 000 kg	3 290 mm
800 mm	27 400 kg	3 390 mm
900 mm	27 800 kg	3 490 mm

ZX300LCN

Shoe width	Weight	Overall width
600 mm	26 500 kg	2 990 mm
700 mm	26 900 kg	3 090 mm
800 mm	27 300 kg	3 190 mm
900 mm	27 600 kg	3 290 mm

BUCKET SPECIFICATIONS AND COMPATIBILITY

ZX300LC / ZX300LCN

	Capacity ISO heaped	Width without side cutters	Weight	Recommendation			
				ZX300LC		ZX300LCN	
				HE15LD	HE18LD	HE15LD	HE18LD
Bucket radius 1230 mm	0.40 m ³	720 mm	340 kg	⊙	○	⊙	□
	0.45 m ³	800 mm	370 kg	⊙	□	⊙	□
	0.50 m ³	890 mm	390 kg	⊙	□	⊙	-
	0.59 m ³	950 mm	410 kg	⊙	-	⊙	-
	0.66 m ³	1 030 mm	430 kg	⊙	-	⊙	-
Bucket radius 1430 mm	0.52 m ³	790 mm	450 kg	⊙	-	⊙	-
	0.60 m ³	925 mm	480 kg	⊙	-	⊙	-
	0.70 m ³	1 005 mm	520 kg	⊙	-	○	-
	0.82 m ³	1 140 mm	560 kg	□	-	□	-
Slope finishing	-	1 600 mm	430 kg	-	◇	-	◇
	-	1 700 mm	520 kg	◇	-	◇	-
Max. weight				2 040 kg	1 060 kg	1 910 kg	1 060 kg

⊙ Suitable for materials with density of 1 800 kg/m³ or less

○ Suitable for materials with density of 1 600 kg/m³ or less

□ Suitable for materials with density of 1 100 kg/m³ or less

◇ Slope-finishing service

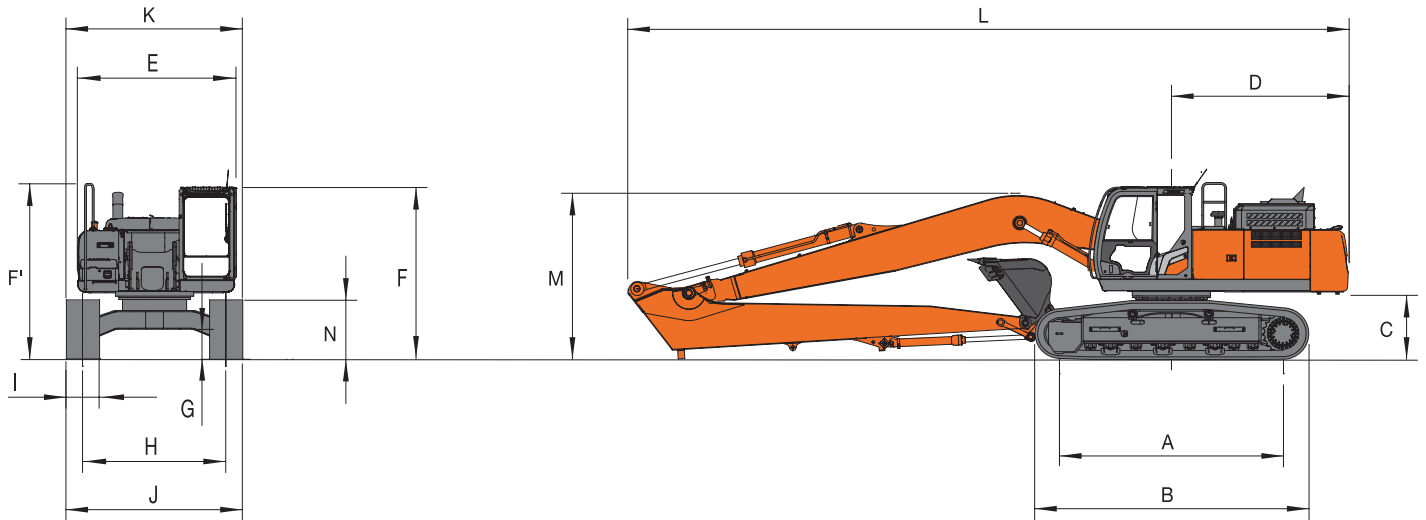
- Not applicable

• Use the bucket in the range where the total weight of bucket and loading material does not exceed maximum weight described above.

SPECIFICATIONS

ZX300LC / ZX300LCN

DIMENSIONS



Unit: mm

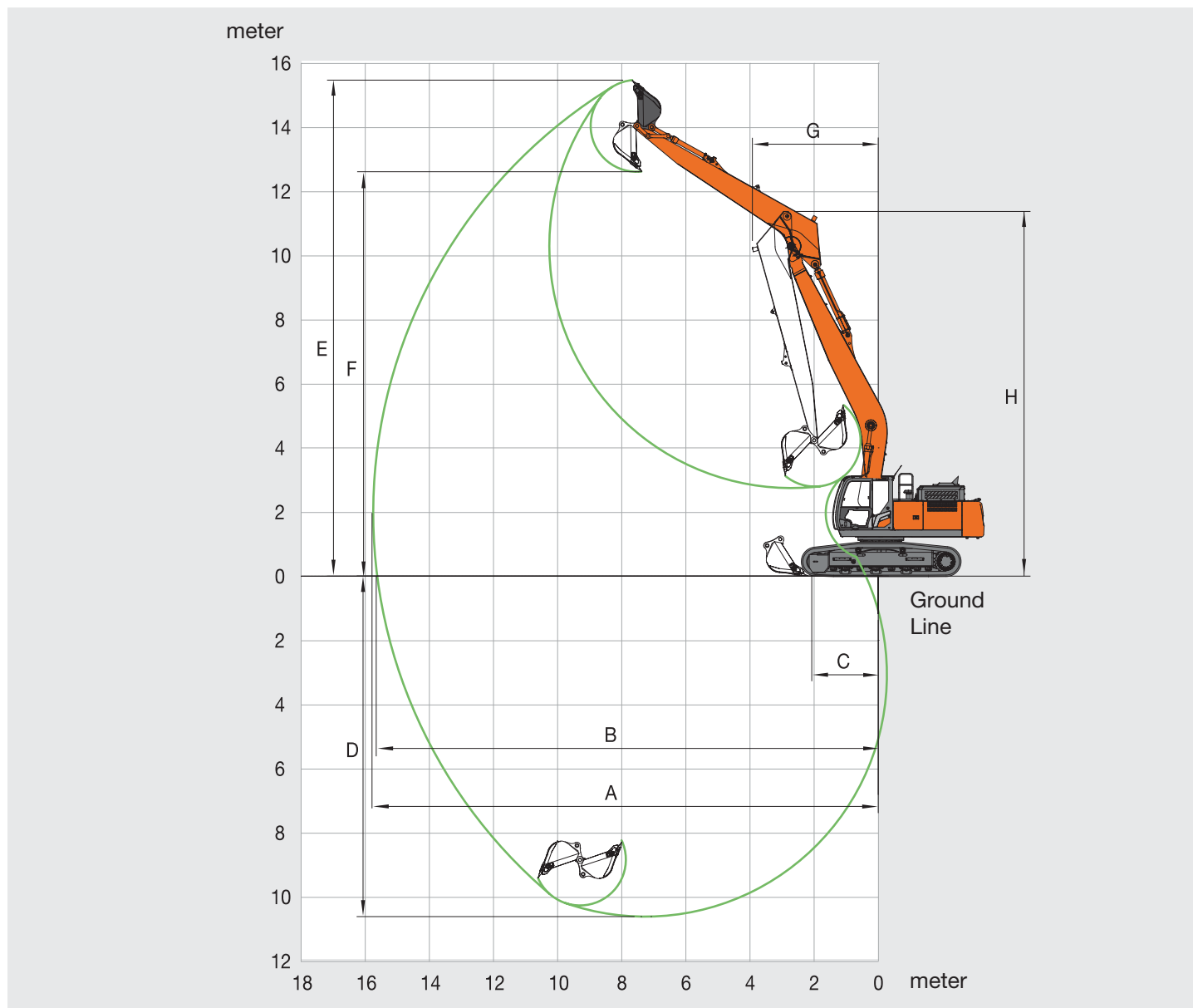
	ZX300LC TYPE HE15LD	ZX300LCN TYPE HE15LD
A Distance between tumblers	4 050	4 050
B Undercarriage length	4 940	4 940
*C Counterweight clearance	1 130	1 130
D Rear-end swing radius	3 250	3 250
E Overall width of upperstructure	2 990	2 990
F Overall height of cab	3 120	3 120
*G Min. ground clearance	510	510
H Track gauge	2 590	2 390
I Track shoe width	600 / 700 / 800 / 900	600 / 700 / 800 / 900
J Undercarriage width	3 190 / 3 290 / 3 390 / 3 490	2 990 / 3 090 / 3 190 / 3 290
K Overall width	3 190 / 3 290 / 3 390 / 3 490	2 990 / 3 090 / 3 190 / 3 290
L Overall length	13 190	13 190
M Overall height of boom	3 060	3 060
N Track height with triple grouser shoes	1 070	1 070

•*: Excluding track shoe lug

SPECIFICATIONS

ZX300LC / ZX300LCN

WORKING RANGES



Unit: mm

	ZX300LC / ZX300LCN TYPE HE15LD
A Max. digging reach	15 750
B Max. digging reach (on ground)	15 630
C Max. level crowding distance	2 110
D Max. digging depth	10 620
E Max. cutting height	15 450
F Max. dumping height	12 560
G Min. swing radius	3 920
H Min. swing radius height	11 370
Bucket digging force ISO	84 kN (8 560 kgf)
Arm crowd force ISO	67 kN (6 830 kgf)

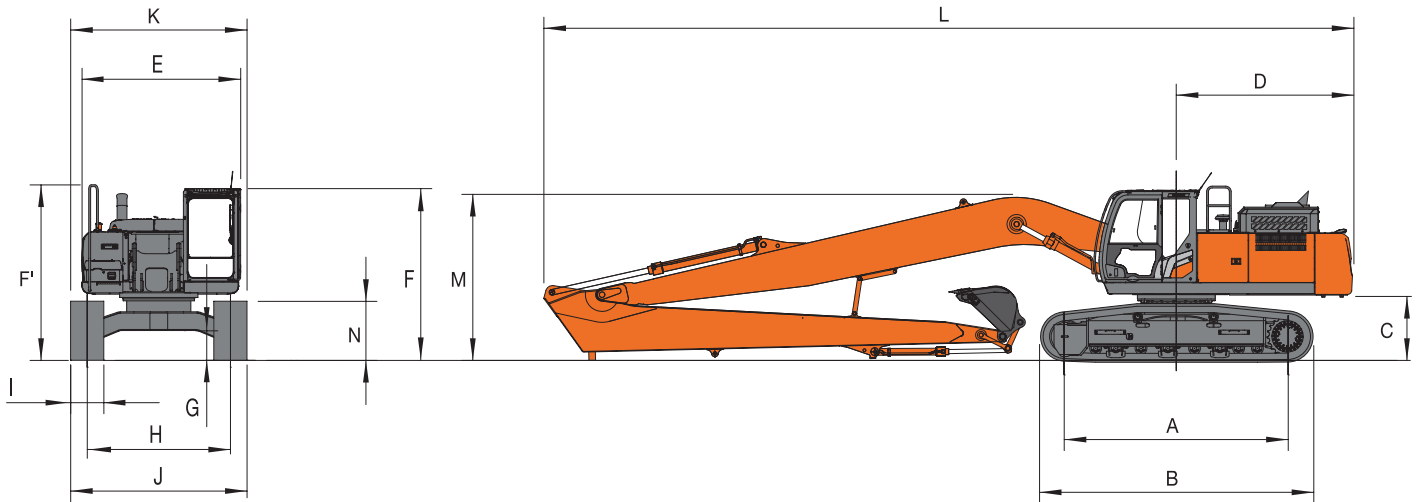
• Excluding track shoe lug

Note: Working range can be changed, depending on bucket size.

SPECIFICATIONS

ZX300LC / ZX300LCN

DIMENSIONS



Unit: mm

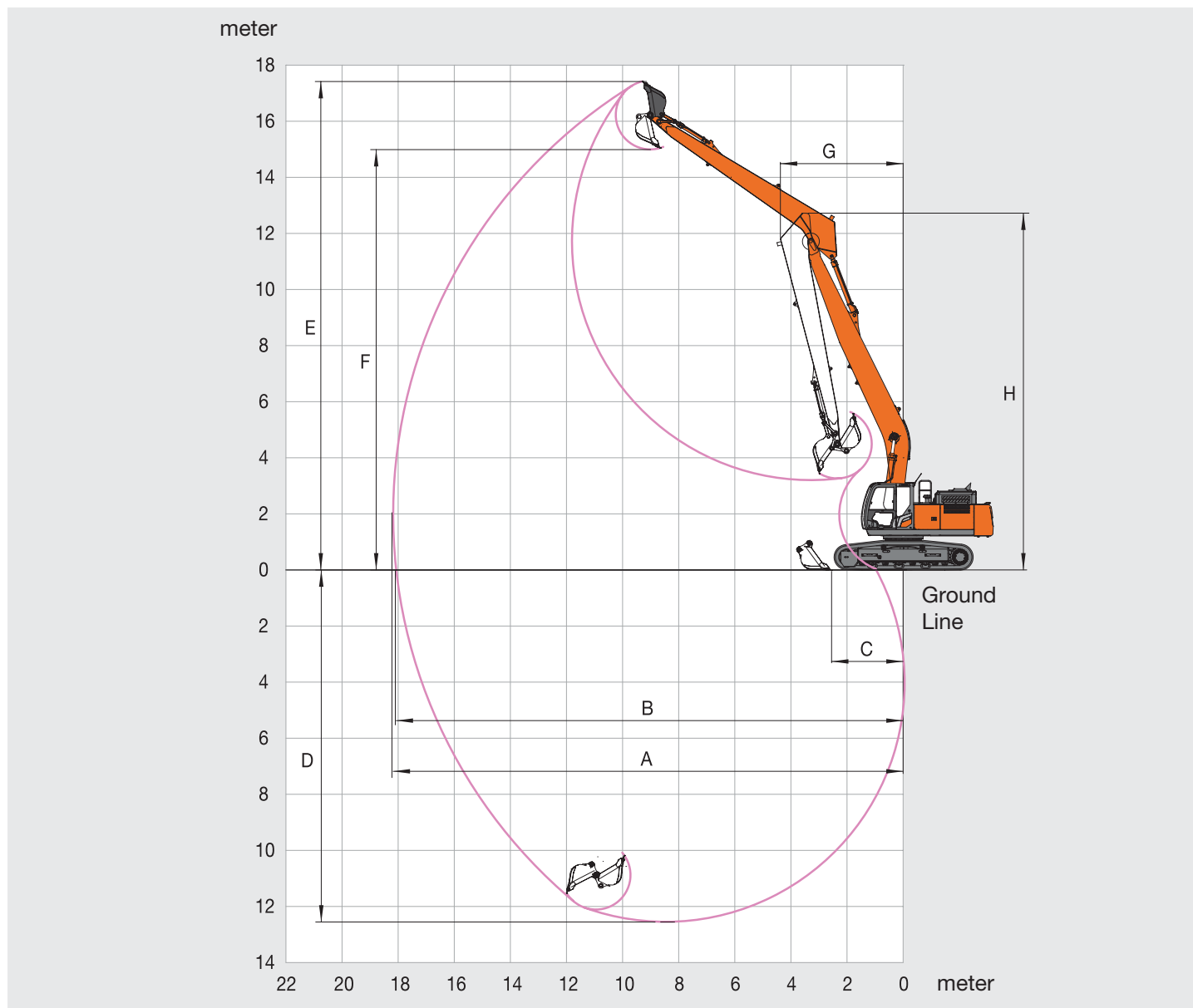
	ZX300LC TYPE HE18LD	ZX300LCN TYPE HE18LD
A Distance between tumblers	4 050	4 050
B Undercarriage length	4 940	4 940
*C Counterweight clearance	1 130	1 130
D Rear-end swing radius	3 250	3 250
E Overall width of upperstructure	2 990	2 990
F Overall height of cab	3 120	3 120
*G Min. ground clearance	510	510
H Track gauge	2 590	2 390
I Track shoe width	600 / 700 / 800 / 900	600 / 700 / 800 / 900
J Undercarriage width	3 190 / 3 290 / 3 390 / 3 490	2 990 / 3 090 / 3 190 / 3 290
K Overall width	3 190 / 3 290 / 3 390 / 3 490	2 990 / 3 090 / 3 190 / 3 290
L Overall length	14 690	14 690
M Overall height of boom	3 030	3 030
N Track height with triple grouser shoes	1 070	1 070

•*: Excluding track shoe lug

SPECIFICATIONS

ZX300LC / ZX300LCN

WORKING RANGES



Unit: mm

	ZX300LC / ZX300LCN TYPE HE18LD
A Max. digging reach	18 180
B Max. digging reach (on ground)	18 070
C Max. level crowding distance	2 550
D Max. digging depth	12 550
E Max. cutting height	17 420
F Max. dumping height	14 990
G Min. swing radius	4 360
H Min. swing radius height	12 720
Bucket digging force ISO	74 kN (7 560 kgf)
Arm crowd force ISO	52 kN (5 360 kgf)

• Excluding track shoe lug

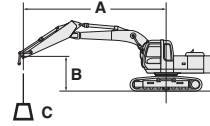
Note: Working range can be changed, depending on bucket size.

MACHINE CAPACITIES

ZX300LC / ZX300LCN

Metric measure

- Notes: 1. Ratings are based on ISO 10567.
 2. Machine capacity of the ZAXIS series does not exceed 75% of tipping load with the machine on firm, level ground or 87% full hydraulic capacity.
 3. The load point is the center-line of the bucket pivot mounting pin on the arm.
 4. * Indicates load limited by hydraulic capacity.
 5. 0m = Ground.
 For machine capacities, subtract bucket and quick hitch weight from machine capacities.



A: Load radius
 B: Load point height
 C: Machine capacity

ZX300LC TYPE HE15LD SUPER LONG FRONT

Rating over-front

Rating over-side or 360 degrees

Unit: kg

Conditions	Load point height (m)	Load radius (m)									
		3.0		4.5		6.0		7.5		9.0	
Boom 8.70 m	13.5										
Arm 6.10 m	12.0										
Counterweight	10.5									3 130*	3 130*
7 200 kg	9.0									3 080*	3 080*
Additional counterweight 550 kg	7.5									3 220*	3 220*
600 mm grouser shoe	6.0							3 880*	3 880*	3 440*	3 440*
	4.5					5 280*	5 280*	4 350*	4 350*	3 740*	3 740*
	3.0	3 950*	3 950*	8 550*	8 550*	6 150*	6 150*	4 860*	4 860*	4 060*	4 060*
	1.5			7 730*	7 730*	6 920*	6 920*	5 330*	5 330*	4 360*	4 360*
0 (Ground)	0	2 430*	2 430*	5 830*	5 830*	7 440*	7 330*	5 690*	5 440*	4 600*	4 240*
	-1.5	3 510*	3 510*	6 070*	6 070*	7 630*	7 020*	5 880*	5 200*	4 750*	4 060*
	-3.0	4 710*	4 710*	7 020*	7 020*	7 540*	6 910*	5 880*	5 080*	4 750*	3 960*
	-4.5	6 050*	6 050*	8 400*	8 400*	7 160*	6 930*	5 670*	5 060*	4 600*	3 940*
	-6.0	7 560*	7 560*	8 290*	8 290*	6 500*	6 500*	5 200*	5 140*	4 220*	4 000*
	-7.5			6 810*	6 810*	5 470*	5 470*	4 410*	4 410*	3 520*	3 520*
	-9.0					3 920*	3 920*	3 110*	3 110*		

Conditions	Load point height (m)	Load radius (m)						At max. reach		
		10.5		12.0		13.5				meter
Boom 8.70 m	13.5							2 390*	2 390*	8.4
Arm 6.10 m	12.0							2 120*	2 120*	10.1
Counterweight	10.5							1 970*	1 970*	11.5
7 200 kg	9.0	2 900*	2 900*					1 900*	1 900*	12.4
Additional counterweight 550 kg	7.5	2 980*	2 980*	2 790*	2 790*			1 860*	1 860*	13.2
600 mm grouser shoe	6.0	3 120*	3 120*	2 870*	2 870*	2 490*	2 490*	1 870*	1 870*	13.7
	4.5	3 300*	3 300*	2 980*	2 980*	2 740*	2 480*	1 900*	1 900*	14.1
	3.0	3 510*	3 510*	3 110*	2 990*	2 800*	2 410*	1 980*	1 980*	14.3
	1.5	3 700*	3 550*	3 230*	2 870*	2 860*	2 350*	2 080*	2 080*	14.3
0 (Ground)	0	3 860*	3 390*	3 320*	2 770*	2 890*	2 290*	2 240*	2 110*	14.2
	-1.5	3 950*	3 270*	3 360*	2 690*	2 850*	2 260*	2 430*	2 160*	13.9
	-3.0	3 940*	3 210*	3 290*	2 660*			2 720*	2 280*	13.4
	-4.5	3 780*	3 200*	3 080*	2 680*			2 710*	2 490*	12.7
	-6.0	3 400*	3 260*					2 650*	2 650*	11.9
	-7.5	2 620*	2 620*					2 490*	2 490*	10.7
	-9.0									

ZX300LCN TYPE HE15LD SUPER LONG FRONT

Rating over-front

Rating over-side or 360 degrees

Unit: kg

Conditions	Load point height (m)	Load radius (m)									
		3.0		4.5		6.0		7.5		9.0	
Boom 8.70 m	13.5										
Arm 6.10 m	12.0										
Counterweight	10.5									3 130*	3 130*
7 200 kg	9.0									3 080*	3 080*
Additional counterweight 550 kg	7.5									3 220*	3 220*
600 mm grouser shoe	6.0							3 880*	3 880*	3 440*	3 440*
	4.5					5 280*	5 280*	4 350*	4 350*	3 740*	3 740*
	3.0	3 950*	3 950*	8 550*	8 550*	6 150*	6 150*	4 860*	4 860*	4 060*	4 060*
	1.5			7 730*	7 730*	6 920*	6 920*	5 330*	5 310*	4 360*	4 090*
0 (Ground)	0	2 430*	2 430*	5 830*	5 830*	7 440*	6 630*	5 690*	4 950*	4 600*	3 850*
	-1.5	3 510*	3 510*	6 070*	6 070*	7 630*	6 330*	5 880*	4 710*	4 750*	3 680*
	-3.0	4 710*	4 710*	7 020*	7 020*	7 540*	6 220*	5 880*	4 590*	4 750*	3 580*
	-4.5	6 050*	6 050*	8 400*	8 400*	7 160*	6 240*	5 670*	4 570*	4 600*	3 560*
	-6.0	7 560*	7 560*	8 290*	8 290*	6 500*	6 380*	5 200*	4 650*	4 220*	3 620*
	-7.5			6 810*	6 810*	5 470*	5 470*	4 410*	4 410*	3 520*	3 520*
	-9.0					3 920*	3 920*	3 110*	3 110*		

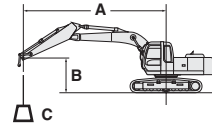
Conditions	Load point height (m)	Load radius (m)						At max. reach		
		10.5		12.0		13.5				meter
Boom 8.70 m	13.5							2 390*	2 390*	8.4
Arm 6.10 m	12.0							2 120*	2 120*	10.1
Counterweight	10.5							1 970*	1 970*	11.5
7 200 kg	9.0	2 900*	2 900*					1 900*	1 900*	12.4
Additional counterweight 550 kg	7.5	2 980*	2 980*	2 790*	2 790*			1 860*	1 860*	13.2
600 mm grouser shoe	6.0	3 120*	3 120*	2 870*	2 870*	2 490*	2 290*	1 870*	1 870*	13.7
	4.5	3 300*	3 300*	2 980*	2 840*	2 740*	2 250*	1 900*	1 900*	14.1
	3.0	3 510*	3 420*	3 110*	2 720*	2 800*	2 180*	1 980*	1 950*	14.3
	1.5	3 700*	3 240*	3 230*	2 610*	2 860*	2 120*	2 080*	1 900*	14.3
0 (Ground)	0	3 860*	3 080*	3 320*	2 500*	2 890*	2 060*	2 240*	1 900*	14.2
	-1.5	3 950*	2 960*	3 360*	2 430*	2 850*	2 030*	2 430*	1 950*	13.9
	-3.0	3 940*	2 890*	3 290*	2 400*			2 720*	2 050*	13.4
	-4.5	3 780*	2 890*	3 080*	2 410*			2 710*	2 240*	12.7
	-6.0	3 400*	2 950*					2 650*	2 550*	11.9
	-7.5	2 620*	2 620*					2 490*	2 490*	10.7
	-9.0									

MACHINE CAPACITIES

ZX300LC / ZX300LCN

Metric measure

- Notes: 1. Ratings are based on ISO 10567.
 2. Machine capacity of the ZAXIS series does not exceed 75% of tipping load with the machine on firm, level ground or 87% full hydraulic capacity.
 3. The load point is the center-line of the bucket pivot mounting pin on the arm.
 4. * Indicates load limited by hydraulic capacity.
 5. 0m = Ground.
 For machine capacities, subtract bucket and quick hitch weight from machine capacities.



A: Load radius
 B: Load point height
 C: Machine capacity

ZX300LC TYPE HE18LD SUPER LONG FRONT

Rating over-front

Rating over-side or 360 degrees

Unit: kg

Conditions	Load point height (m)	Load radius (m)												
		3.0		4.5		6.0		7.5		9.0		10.5		
Boom 10.23 m	15.0												1 560*	1 560*
Arm 7.28 m	13.5												2 240*	2 240*
Counterweight	12.0													
7 200 kg	10.5												2 420*	2 420*
Additional	9.0												2 490*	2 490*
counterweight 550 kg	7.5												2 620*	2 620*
600 mm grouser shoe	6.0												3 160*	3 160*
	4.5			6 940*	6 940*	5 140*	5 140*	4 110*	4 110*	3 430*	3 430*	2 960*	2 960*	
	3.0			7 290*	7 290*	5 900*	5 900*	4 560*	4 560*	3 720*	3 720*	3 150*	3 150*	
	1.5			2 780*	2 780*	6 520*	6 520*	4 950*	4 950*	3 990*	3 990*	3 330*	3 330*	
0 (Ground)	710*	710*	2 360*	2 360*	5 970*	5 970*	5 240*	4 820*	4 190*	3 780*	3 480*	3 040*	3 040*	
-1.5	1 470*	1 470*	2 700*	2 700*	5 310*	5 310*	5 390*	4 540*	4 320*	3 570*	3 570*	2 880*	2 880*	
-3.0	2 230*	2 230*	3 320*	3 320*	5 550*	5 550*	5 390*	4 390*	4 340*	3 430*	3 590*	2 770*	2 770*	
-4.5	3 040*	3 040*	4 120*	4 120*	6 230*	5 940*	5 240*	4 330*	4 260*	3 370*	3 530*	2 720*	2 720*	
-6.0	3 910*	3 910*	5 060*	5 060*	6 130*	6 030*	4 940*	4 360*	4 050*	3 370*	3 360*	2 720*	2 720*	
-7.5	4 890*	4 890*	6 200*	6 200*	5 460*	5 460*	4 470*	4 450*	3 690*	3 430*	3 050*	2 770*	2 770*	
-9.0			5 510*	5 510*	4 560*	4 560*	3 790*	3 790*	3 140*	3 140*	2 560*	2 560*	2 560*	
-10.5					3 350*	3 350*	2 830*	2 830*	2 310*	2 310*	1 740*	1 740*	1 740*	

Conditions	Load point height (m)	Load radius (m)								At max. reach		
		12.0		13.5		15.0		16.5				meter
Boom 10.23 m	15.0									1,37*	1,37*	10.7
Arm 7.28 m	13.5	1 540*	1 540*							1,23*	1,23*	12.3
Counterweight	12.0	2 150*	2 150*	1 260*	1 260*					1,14*	1,14*	13.6
7 200 kg	10.5	2 250*	2 250*	1 960*	1 960*					1,09*	1,09*	14.6
Additional	9.0	2 300*	2 300*	2 140*	2 140*	1 500*	1 500*			1,07*	1,07*	15.4
counterweight 550 kg	7.5	2 380*	2 380*	2 190*	2 190*	2 000*	2 000*			1,06*	1,06*	16.0
600 mm grouser shoe	6.0	2 480*	2 480*	2 250*	2 250*	2 070*	1 980*			1 070*	1 070*	16.4
	4.5	2 610*	2 610*	2 340*	2 340*	2 120*	1 910*	1 450*	1 450*	1 100*	1 100*	16.7
	3.0	2 740*	2 740*	2 420*	2 260*	2 170*	1 840*	1 720*	1 500*	1 140*	1 140*	16.9
	1.5	2 860*	2 620*	2 510*	2 150*	2 220*	1 760*	1 870*	1 450*	1 210*	1 210*	16.9
0 (Ground)	2 960*	2 480*	2 570*	2 050*	2 250*	1 700*	1 840*	1 420*	1 280*	1 280*	1 280*	16.8
-1.5	3 020*	2 370*	2 600*	1 970*	2 250*	1 650*	1 560*	1 400*	1 400*	1 400*	1 390*	16.6
-3.0	3 030*	2 290*	2 580*	1 910*	2 200*	1 620*		1 540*	1 540*	1 440*	1 440*	16.2
-4.5	2 970*	2 250*	2 500*	1 890*	2 070*	1 620*		1 750*	1 750*	1 540*	1 540*	15.6
-6.0	2 800*	2 250*	2 320*	1 910*				1 830*	1 830*	1 680*	1 680*	14.9
-7.5	2 510*	2 300*	1 970*	1 970*				1 760*	1 760*	1 760*	1 760*	14.0
-9.0	1 990*	1 990*						1 610*	1 610*	1 610*	1 610*	12.9
-10.5								1 340*	1 340*	1 340*	1 340*	11.4

ZX300LCN TYPE HE18LD SUPER LONG FRONT

Rating over-front

Rating over-side or 360 degrees

Unit: kg

Conditions	Load point height (m)	Load radius (m)												
		3.0		4.5		6.0		7.5		9.0		10.5		
Boom 10.23 m	15.0												1 560*	1 560*
Arm 7.28 m	13.5												2 240*	2 240*
Counterweight	12.0													
7 200 kg	10.5												2 420*	2 420*
Additional	9.0												2 490*	2 490*
counterweight 550 kg	7.5												2 620*	2 620*
600 mm grouser shoe	6.0												3 160*	3 160*
	4.5			6 940*	6 940*	5 140*	5 140*	4 110*	4 110*	3 430*	3 430*	2 960*	2 960*	
	3.0			7 290*	7 290*	5 900*	5 900*	4 560*	4 560*	3 720*	3 720*	3 150*	3 150*	
	1.5			2 780*	2 780*	6 520*	6 440*	4 950*	4 820*	3 990*	3 750*	3 330*	2 980*	
0 (Ground)	710*	710*	2 360*	2 360*	5 970*	5 840*	5 240*	4 410*	4 190*	3 460*	3 480*	2 780*	2 780*	
-1.5	1 470*	1 470*	2 700*	2 700*	5 310*	5 310*	5 390*	4 140*	4 320*	3 250*	3 570*	2 620*	2 620*	
-3.0	2 230*	2 230*	3 320*	3 320*	5 550*	5 390*	5 390*	3 980*	4 340*	3 120*	3 590*	2 520*	2 520*	
-4.5	3 040*	3 040*	4 120*	4 120*	6 230*	5 380*	5 240*	3 930*	4 260*	3 060*	3 530*	2 460*	2 460*	
-6.0	3 910*	3 910*	5 060*	5 060*	6 130*	5 460*	4 940*	3 960*	4 050*	3 060*	3 360*	2 460*	2 460*	
-7.5	4 890*	4 890*	6 200*	6 200*	5 460*	5 460*	4 470*	4 050*	3 690*	3 120*	3 050*	2 510*	2 510*	
-9.0			5 510*	5 510*	4 560*	4 560*	3 790*	3 790*	3 140*	3 140*	2 560*	2 560*	2 560*	
-10.5					3 350*	3 350*	2 830*	2 830*	2 310*	2 310*	1 740*	1 740*	1 740*	

Conditions	Load point height (m)	Load radius (m)								At max. reach		
		12.0		13.5		15.0		16.5				meter
Boom 10.23 m	15.0									1,37*	1,37*	10.7
Arm 7.28 m	13.5	1 540*	1 540*							1,23*	1,23*	12.3
Counterweight	12.0	2 150*	2 150*	1 260*	1 260*					1,14*	1,14*	13.6
7 200 kg	10.5	2 250*	2 250*	1 960*	1 960*					1,09*	1,09*	14.6
Additional	9.0	2 300*	2 300*	2 140*	2 140*	1 500*	1 500*			1,07*	1,07*	15.4
counterweight 550 kg	7.5	2 380*	2 380*	2 190*	2 190*	2 000*	1 850*			1,06*	1,06*	16.0
600 mm grouser shoe	6.0	2 480*	2 480*	2 250*	2 250*	2 070*	1 810*			1 070*	1 070*	16.4
	4.5	2 610*	2 610*	2 340*	2 180*	2 120*	1 740*	1 450*	1 390*	1 100*	1 100*	16.7
	3.0	2 740*	2 560*	2 420*	2 070*	2 170*	1 670*	1 720*	1 350*	1 140*	1 140*	16.9
	1.5	2 860*	2 400*	2 510*	1 960*	2 220*	1 600*	1 870*	1 310*	1 210*	1 210*	16.9
0 (Ground)	2 960*	2 260*	2 570*	1 860*	2 250*	1 530*	1 840*	1 270*	1 280*	1 220*	1 220*	16.8
-1.5	3 020*	2 150*	2 600*	1 780*	2 250*	1 480*	1 560*	1 250*	1 400*	1 240*	1 240*	16.6
-3.0	3 030*	2 070*	2 580*	1 730*	2 200*	1 460*		1 540*	1 540*	1 290*	1 290*	16.2
-4.5	2 970*	2 030*	2 500*	1 700*	2 070*	1 460*		1 750*	1 750*	1 380*	1 380*	15.6
-6.0	2 800*	2 030*	2 320*	1 720*				1 830*	1 830*	1 510*	1 510*	14.9
-7.5	2 510*	2 090*	1 970*	1 790*				1 760*	1 760*	1 720*	1 720*	14.0
-9.0	1 990*	1 990*						1 610*	1 610*	1 610*	1 610*	12.9
-10.5								1 340*	1 340*	1 340*	1 340*	11.4

SPECIFICATIONS

ZX350LC / ZX350LCN

ENGINE

Model	Isuzu 6HK1X
Type	4-cycle water-cooled, common rail direct injection
Aspiration	Variable geometry turbocharged, intercooled, cooled EGR
Aftertreatment	DOC+CSF+SCR system
No. of cylinders	6
Rated power	
ISO 14396	210 kW at 1 900 min ⁻¹
ISO 9249, net	202 kW at 1 900 min ⁻¹
SAE J1349, net	202 kW at 1 900 min ⁻¹
Maximum torque	1 080 Nm at 1 500 min ⁻¹
Piston displacement	7.790 L
Bore and stroke	115 mm x 125 mm
Batteries	2 x 12 V / 128 Ah

HYDRAULIC SYSTEM

Hydraulic Pumps

Main pumps	3 variable displacement axial piston pumps
Maximum oil flow	2 x 288 L/min 1 x 260 L/min
Pilot pump	1 gear pump
Maximum oil flow	36.8 L/min

Hydraulic Motors

Travel	2 variable displacement axial piston motors
Swing	1 axial piston motor

Relief Valve Settings

Implement circuit	34.3 MPa
Swing circuit	32.4 MPa
Travel circuit	34.3 MPa
Pilot circuit	3.9 MPa
Power boost	38.0 MPa

Hydraulic Cylinders

ZX350LC / ZX350LCN TYPE HE15LD SUPER LONG FRONT

	Quantity	Bore	Rod diameter
Boom	2	145 mm	100 mm
Arm	1	170 mm	115 mm
Bucket	1	130 mm	90 mm

ZX350LC / ZX350LCN TYPE HE18LD SUPER LONG FRONT

	Quantity	Bore	Rod diameter
Boom	2	145 mm	100 mm
Arm	1	170 mm	115 mm
Bucket	1	115 mm	80 mm

ZX350LC / ZX350LCN TYPE HE20LD/HE22 SUPER LONG FRONT

	Quantity	Bore	Rod diameter
Boom	2	145 mm	100 mm
Arm	1	170 mm	115 mm
Bucket	1	105 mm	75 mm

UPPERSTRUCTURE

Revolving Frame

D-section frame for resistance to deformation.

Swing Device

Axial piston motor with planetary reduction gear is bathed in oil. Swing circle is single-row. Swing parking brake is spring-set/hydraulic-released disc type.

Swing speed	6.3 min ⁻¹ (rpm)
Swing torque	99.6 kNm (10 156 kgfm)

UNDERCARRIAGE

Tracks

Heat-treated connecting pins with dirt seals. Hydraulic (grease) track adjusters with shock-absorbing recoil springs.

Numbers of Rollers and Shoes on Each Side

	ZX350LC / ZX350LCN
Upper rollers	2
Lower rollers	8
Track shoes	48
Track guards	3

Travel Device

Each track driven by 2-speed axial piston motor. Parking brake is spring-set/hydraulic-released disc type. Automatic transmission system: High-Low.

Travel speeds	High : 0 to 5.0 km/h Low : 0 to 3.2 km/h
Maximum traction force	298 kN
Gradeability	70% (35 degree) continuous

SOUND LEVEL

Sound level in cab according to ISO 6396 LpA 71 dB(A)
External sound level according to ISO 6395 and
EU Directive 2000/14/EC LwA 104 dB(A)

SERVICE REFILL CAPACITIES

	ZX350LC / ZX350LCN
Fuel tank	630.0 L
Engine coolant	48.0 L
Engine oil	48.0 L
Swing device	15.7 L
Travel device (each side)	11.0 L
Hydraulic system	340.0 L
Hydraulic oil tank	198.0 L
DEF/AdBlue® tank	70.0 L

SPECIFICATIONS

ZX350LC / ZX350LCN

WEIGHTS AND GROUND PRESSURE

ZX350LC TYPE HE15LD SUPER LONG FRONT:

Equipped with 9.00 m monoblock boom, 6.00 m arm and 1.0 m³ bucket (SAE, PCSA heaped), 10 300 kg counterweight.

Shoe type	Shoe width	Operating weight	Ground pressure
Triple grouser	600 mm	38 300 kg	73 kPa (0.74 kgf/cm ²)
	700 mm	38 700 kg	63 kPa (0.64 kgf/cm ²)
	800 mm	39 100 kg	55 kPa (0.56 kgf/cm ²)
	900 mm	39 500 kg	50 kPa (0.51 kgf/cm ²)

ZX350LCN TYPE HE15LD SUPER LONG FRONT:

Equipped with 9.00 m monoblock boom, 6.00 m arm and 1.0 m³ bucket (SAE, PCSA heaped), 10 300 kg counterweight.

Shoe type	Shoe width	Operating weight	Ground pressure
Triple grouser	600 mm	38 100 kg	72 kPa (0.73 kgf/cm ²)
	700 mm	38 500 kg	62 kPa (0.63 kgf/cm ²)

ZX350LC TYPE HE18LD SUPER LONG FRONT:

Equipped with 10.45 m monoblock boom, 7.02 m arm and 0.7 m³ bucket (SAE, PCSA heaped), 10 300 kg counterweight.

Shoe type	Shoe width	Operating weight	Ground pressure
Triple grouser	600 mm	38 400 kg	73 kPa (0.74 kgf/cm ²)
	700 mm	38 700 kg	63 kPa (0.64 kgf/cm ²)
	800 mm	39 100 kg	55 kPa (0.56 kgf/cm ²)
	900 mm	39 500 kg	50 kPa (0.51 kgf/cm ²)

ZX350LCN TYPE HE18LD SUPER LONG FRONT:

Equipped with 10.45 m monoblock boom, 7.02 m arm and 0.7 m³ bucket (SAE, PCSA heaped), 10 300 kg counterweight.

Shoe type	Shoe width	Operating weight	Ground pressure
Triple grouser	600 mm	38 200 kg	72 kPa (0.73 kgf/cm ²)
	700 mm	38 500 kg	62 kPa (0.63 kgf/cm ²)

ZX350LC TYPE HE20LD SUPER LONG FRONT:

Equipped with 11.80 m monoblock boom, 8.20 m arm and 0.45 m³ bucket (SAE, PCSA heaped), 9 940 kg counterweight.

Shoe type	Shoe width	Operating weight	Ground pressure
Triple grouser	600 mm	38 100 kg	72 kPa (0.73 kgf/cm ²)
	700 mm	38 500 kg	62 kPa (0.63 kgf/cm ²)
	800 mm	38 900 kg	55 kPa (0.56 kgf/cm ²)
	900 mm	39 200 kg	49 kPa (0.50 kgf/cm ²)

ZX350LCN TYPE HE20LD SUPER LONG FRONT:

Equipped with 11.80 m monoblock boom, 8.20 m arm and 0.45 m³ bucket (SAE, PCSA heaped), 9 940 kg counterweight.

Shoe type	Shoe width	Operating weight	Ground pressure
Triple grouser	600 mm	37 900 kg	72 kPa (0.73 kgf/cm ²)
	700 mm	38 300 kg	62 kPa (0.63 kgf/cm ²)

ZX350LC TYPE HE22 SUPER LONG FRONT:

Equipped with 12.30 m monoblock boom, 9.45 m arm and 0.40 m³ bucket (SAE, PCSA heaped), 9 940 kg counterweight.

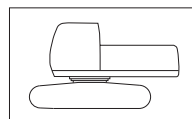
Shoe type	Shoe width	Operating weight	Ground pressure
Triple grouser	600 mm	38 100 kg	72 kPa (0.73 kgf/cm ²)
	700 mm	38 500 kg	62 kPa (0.63 kgf/cm ²)
	800 mm	38 900 kg	55 kPa (0.56 kgf/cm ²)
	900 mm	39 300 kg	49 kPa (0.50 kgf/cm ²)

ZX350LCN TYPE HE22 SUPER LONG FRONT:

Equipped with 12.30 m monoblock boom, 9.45 m arm and 0.40 m³ bucket (SAE, PCSA heaped), 9 940 kg counterweight.

Shoe type	Shoe width	Operating weight	Ground pressure
Triple grouser	600 mm	37 900 kg	72 kPa (0.73 kgf/cm ²)
	700 mm	38 300 kg	62 kPa (0.63 kgf/cm ²)

Basic Machine Weight and Overall width



Excluding front end attachment, additional counterweight, fuel, hydraulic oil and coolant etc.

Including counterweight.

ZX350LC

Shoe width	Weight	Overall width
600 mm	29 900 kg	3 190 mm
700 mm	30 300 kg	3 290 mm
800 mm	30 700 kg	3 390 mm
900 mm	31 100 kg	3 490 mm

ZX350LCN

Shoe width	Weight	Overall width
600 mm	29 900 kg	2 990 mm
700 mm	30 200 kg	3 090 mm

SPECIFICATIONS

ZX350LC / ZX350LCN

BUCKET SPECIFICATIONS AND COMPATIBILITY

ZX350LC / ZX350LCN

	Capacity ISO heaped	Width without side cutters	weight	Recommendation							
				ZX350LC				ZX350LCN			
				HE15LD	HE18LD	HE20LD	HE22	HE15LD	HE18LD	HE20LD	HE22
Bucket radius 1 230 mm	0.40 m ³	720 mm	340 kg	⊙	⊙	⊙	○	⊙	⊙	⊙	□
	0.45 m ³	800 mm	370 kg	⊙	⊙	⊙	□	⊙	⊙	□	-
	0.50 m ³	890 mm	390 kg	⊙	⊙	○	□	⊙	⊙	□	-
	0.59 m ³	950 mm	410 kg	⊙	⊙	□	-	⊙	⊙	□	-
	0.66 m ³	1 030 mm	430 kg	⊙	⊙	□	-	⊙	⊙	-	-
Bucket radius 1 430 mm	0.52 m ³	790 mm	450 kg	⊙	⊙	-	-	⊙	⊙	-	-
	0.60 m ³	925 mm	480 kg	⊙	⊙	-	-	⊙	⊙	-	-
	0.70 m ³	1 005 mm	520 kg	⊙	⊙	-	-	⊙	○	-	-
	0.82 m ³	1 140 mm	560 kg	⊙	□	-	-	⊙	□	-	-
Bucket radius 1 560 mm	0.80 m ³	950 mm	755 kg	⊙	-	-	-	⊙	-	-	-
	1.00 m ³	1 130 mm	851 kg	⊙	-	-	-	○	-	-	-
	1.10 m ³	1 220 mm	901 kg	○	-	-	-	□	-	-	-
	1.25 m ³	1 360 mm	957 kg	□	-	-	-	□	-	-	-
	1.40 m ³	1 500 mm	1 020 kg	□	-	-	-	-	-	-	-
Slope finishing	-	1 600 mm	430 kg	-	-	◇	◇	-	-	◇	◇
	-	1 700 mm	520 kg	-	◇	-	-	-	◇	-	-
Max. weight				2 660 kg	1 880 kg	1 220 kg	1 010 kg	2 460 kg	1 710 kg	1 080 kg	870 kg

⊙ Suitable for materials with density of 1 800 kg/m³ or less

○ Suitable for materials with density of 1 600 kg/m³ or less

□ Suitable for materials with density of 1 100 kg/m³ or less

◇ Slope-finishing service

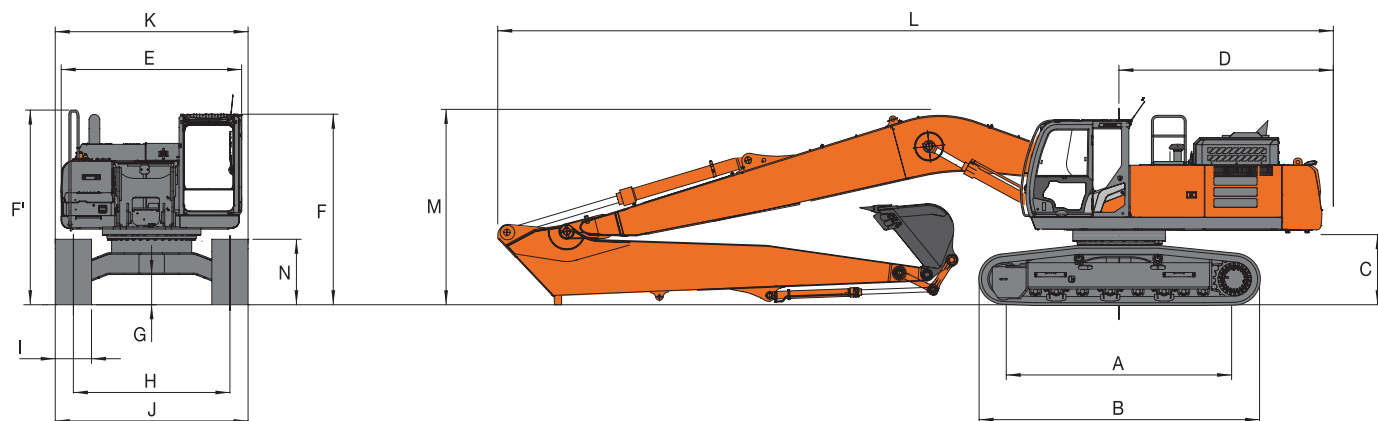
- Not applicable

• Use the bucket in the range where the total weight of bucket and loading material does not exceed maximum weight described above.

SPECIFICATIONS

ZX350LC / ZX350LCN

DIMENSIONS



Unit: mm

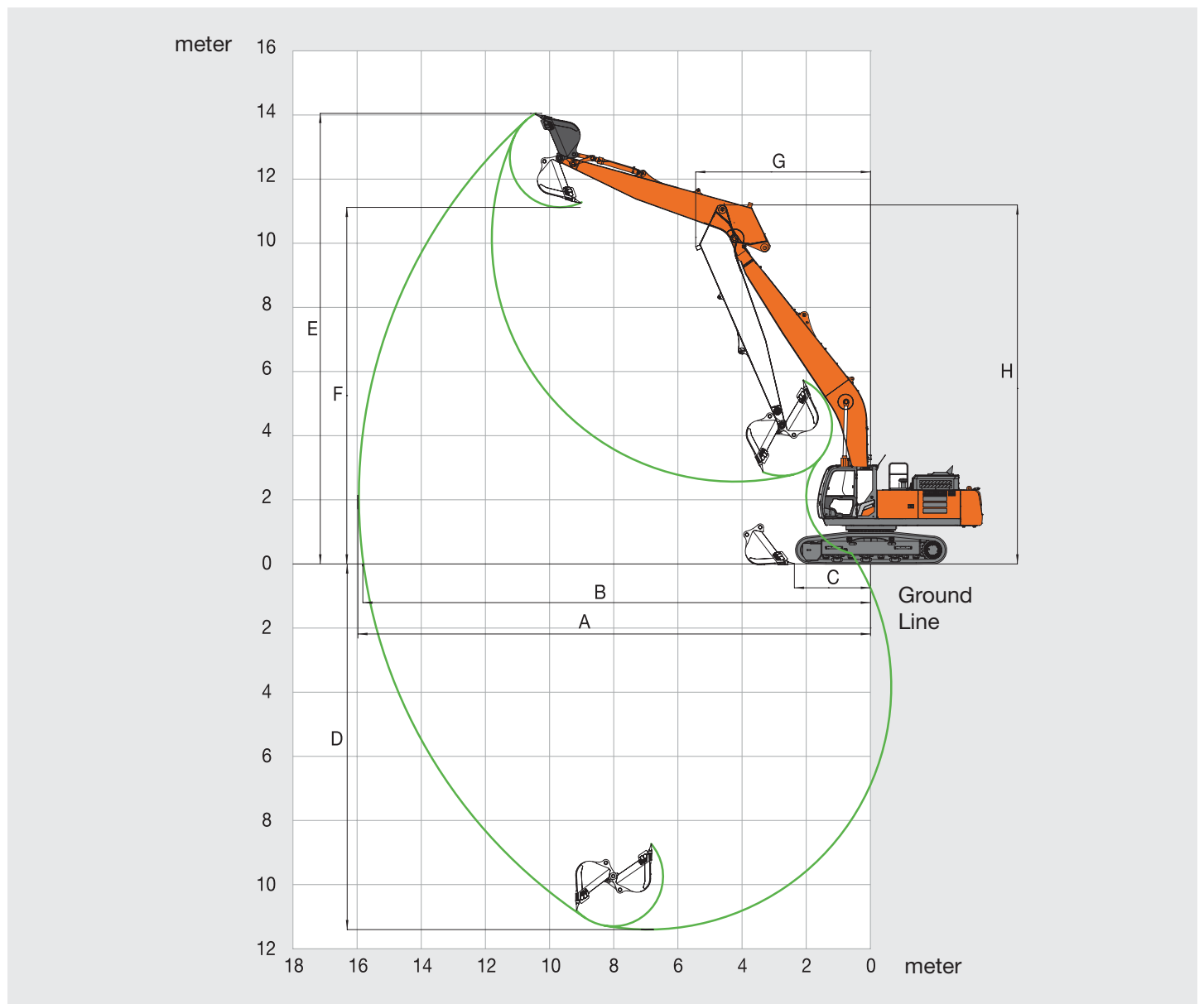
	ZX350LC TYPE HE15LD	ZX350LCN TYPE HE15LD	
A	Distance between tumblers	4 050	4 050
B	Undercarriage length	4 950	4 950
*C	Counterweight clearance	1 160	1 160
D	Rear-end swing radius	3 600	3 600
E	Overall width of upperstructure	2 990	2 990
F	Overall height of cab	3 150	3 150
*G	Min. ground clearance	500	500
H	Track gauge	2 590	2 390
I	Track shoe width	600 / 700 / 800 / 900	600 / 700
J	Undercarriage width	3 190 / 3 290 / 3 390 / 3 490	2 990 / 3 090
K	Overall width	3 190 / 3 290 / 3 390 / 3 490	2 990 / 3 090
L	Overall length	13 910	13 910
M	Overall height of boom	3 270	3 270
N	Track height with triple grouser shoes	1 070	1 070

•* : Excluding track shoe lug

SPECIFICATIONS

ZX350LC / ZX350LCN

WORKING RANGES



Unit: mm

	ZX350LC / ZX350LCN TYPE HE15LD
A Max. digging reach	15 960
B Max. digging reach (on ground)	15 820
C Max. level crowding distance	2 370
D Max. digging depth	11 400
E Max. cutting height	14 050
F Max. dumping height	11 120
G Min. swing radius	5 450
H Min. swing radius height	11 120
Bucket digging force ISO	104 kN (10 600 kgf)
Arm crowd force ISO	83 kN (8 450 kgf)

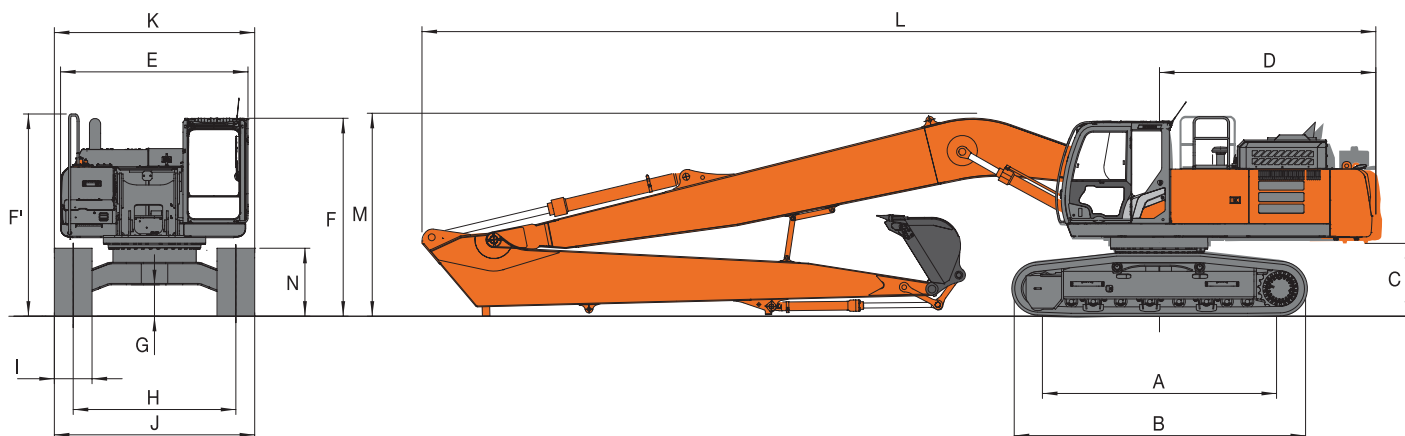
• Excluding track shoe lug

Note: Working range can be changed, depending on bucket size.

SPECIFICATIONS

ZX350LC / ZX350LCN

DIMENSIONS



Unit: mm

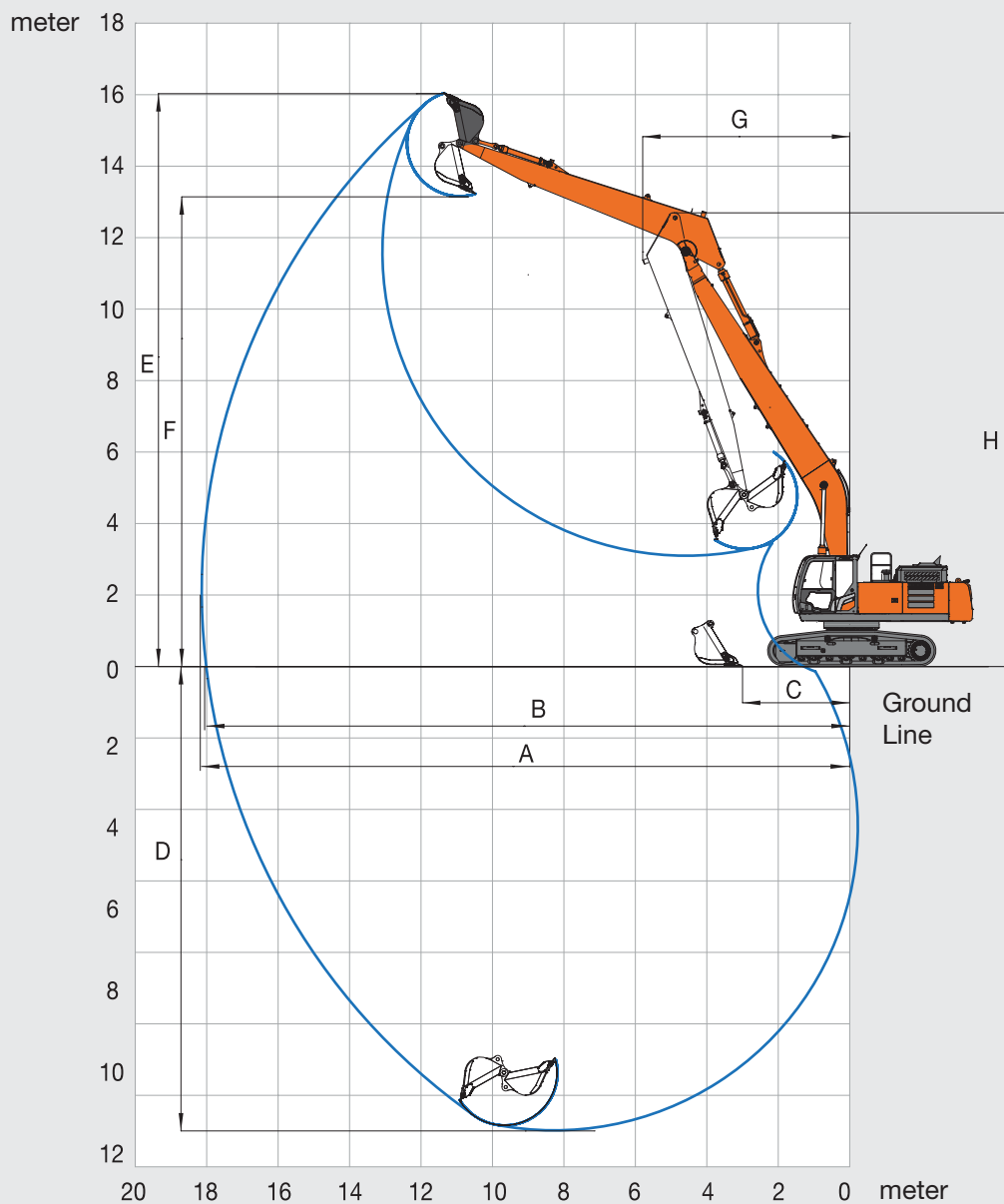
	ZX350LC TYPE HE18LD	ZX350LCN TYPE HE18LD
A Distance between tumbler	4 050	4 050
B Undercarriage length	4 950	4 950
*C Counterweight clearance	1 160	1 160
D Rear-end swing radius	3 600	3 600
E Overall width of upperstructure	2 990	2 990
F Overall height of cab	3 150	3 150
F' Overall height of handrail	3 220	3 220
*G Min. ground clearance	500	500
H Track gauge	2 590	2 390
I Track shoe width	600 / 700 / 800 / 900	600 / 700
J Undercarriage width	3 190 / 3 290 / 3 390 / 3 490	2 990 / 3 090
K Overall width	3 190 / 3 290 / 3 390 / 3 490	2 990 / 3 090
L Overall length	15 330	15 330
M Overall height of boom	3 250	3 250
N Track height with triple grouser shoes	1 070	1 070

•* : Excluding track shoe lug

SPECIFICATIONS

ZX350LC / ZX350LCN

WORKING RANGES



Unit: mm

	ZX350LC / ZX350LCN TYPE HE18LD
A Max. digging reach	18 130
B Max. digging reach (on ground)	18 020
C Max. level crowding distance	3 000
D Max. digging depth	13 060
E Max. cutting height	16 000
F Max. dumping height	13 180
G Min. swing radius	5 680
H Min. swing radius height	12 690
Bucket digging force ISO	89 kN (9 030 kgf)
Arm crowd force ISO	74 kN (7 510 kgf)

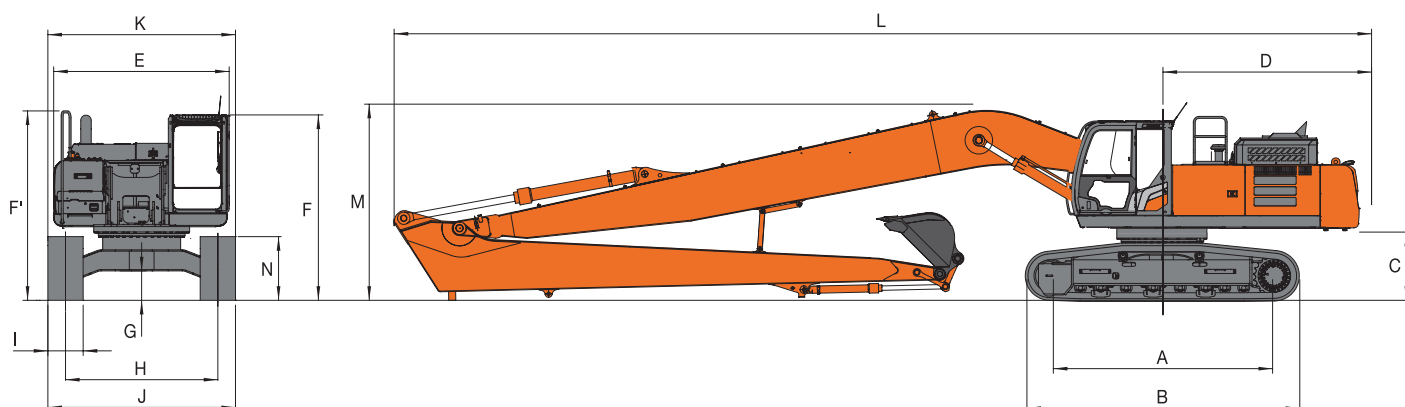
• Excluding track shoe lug

Note: Working range can be changed, depending on bucket size.

SPECIFICATIONS

ZX350LC / ZX350LCN

DIMENSIONS



Unit: mm

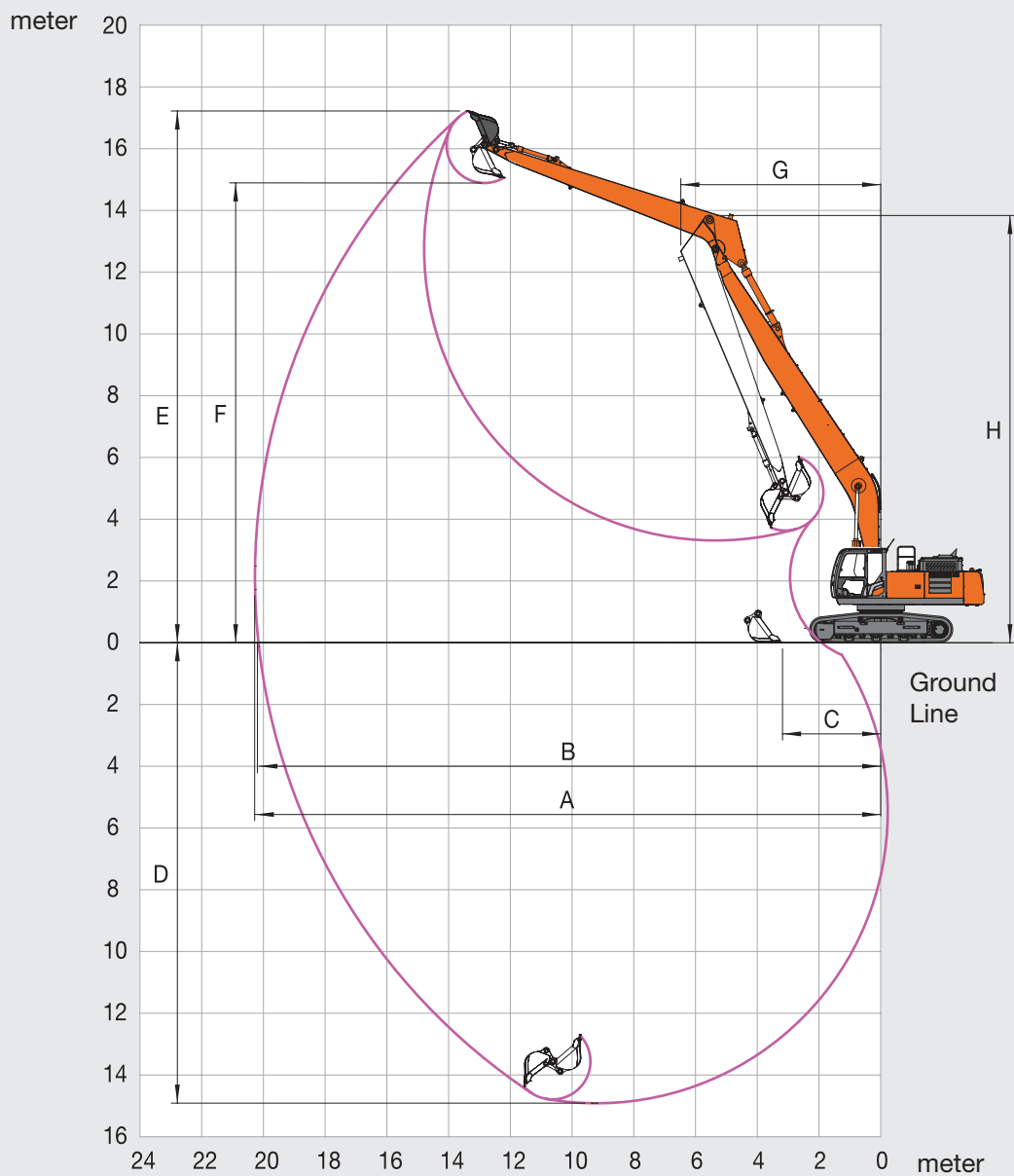
	ZX350LC TYPE HE20LD	ZX350LCN TYPE HE20LD
A Distance between tumblers	4 050	4 050
B Undercarriage length	4 950	4 950
*C Counterweight clearance	1 160	1 160
D Rear-end swing radius	3 600	3 600
E Overall width of upperstructure	2 990	2 990
F Overall height of cab	3 150	3 150
*G Min. ground clearance	500	500
H Track gauge	2 590	2 390
I Track shoe width	600 / 700 / 800 / 900	600 / 700
J Undercarriage width	3 190 / 3 290 / 3 390 / 3 490	2 990 / 3 090
K Overall width	3 190 / 3 290 / 3 390 / 3 490	2 990 / 3 090
L Overall length	16 710	16 710
M Overall height of boom	3 350	3 350
N Track height with triple grouser shoes	1 070	1 070

•*: Excluding track shoe lug

SPECIFICATIONS

ZX350LC / ZX350LCN

WORKING RANGES



Unit: mm

	ZX350LC / ZX350LCN TYPE HE20LD
A Max. digging reach	20 260
B Max. digging reach (on ground)	20 150
C Max. level crowding distance	3 180
D Max. digging depth	14 910
E Max. cutting height	17 220
F Max. dumping height	14 890
G Min. swing radius	6 470
H Min. swing radius height	13 840
Bucket digging force ISO	74 kN (7 510 kgf)
Arm crowd force ISO	65 kN (6 600 kgf)

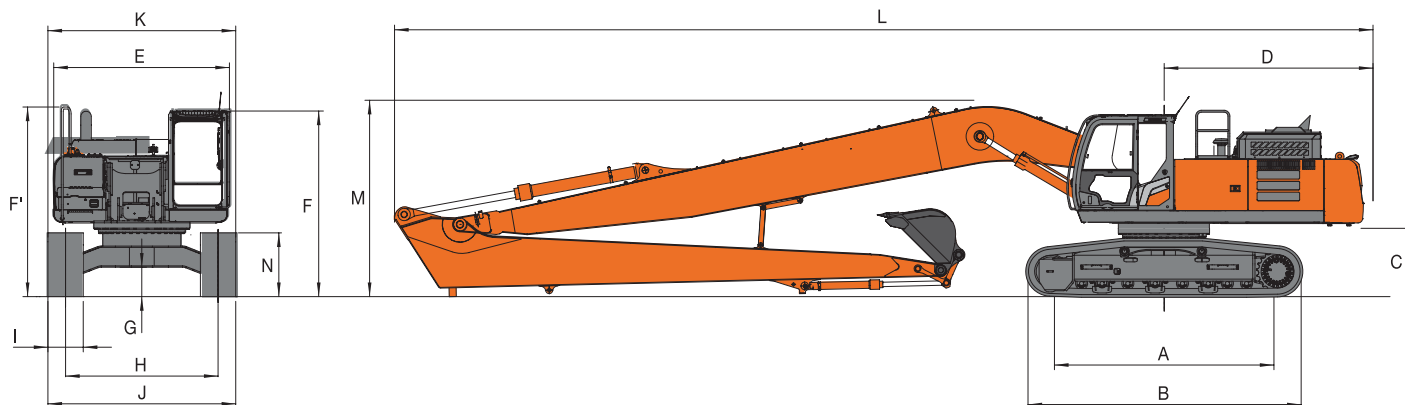
• Excluding track shoe lug

Note: Working range can be changed, depending on bucket size.

SPECIFICATIONS

ZX350LC / ZX350LCN

DIMENSIONS



Unit: mm

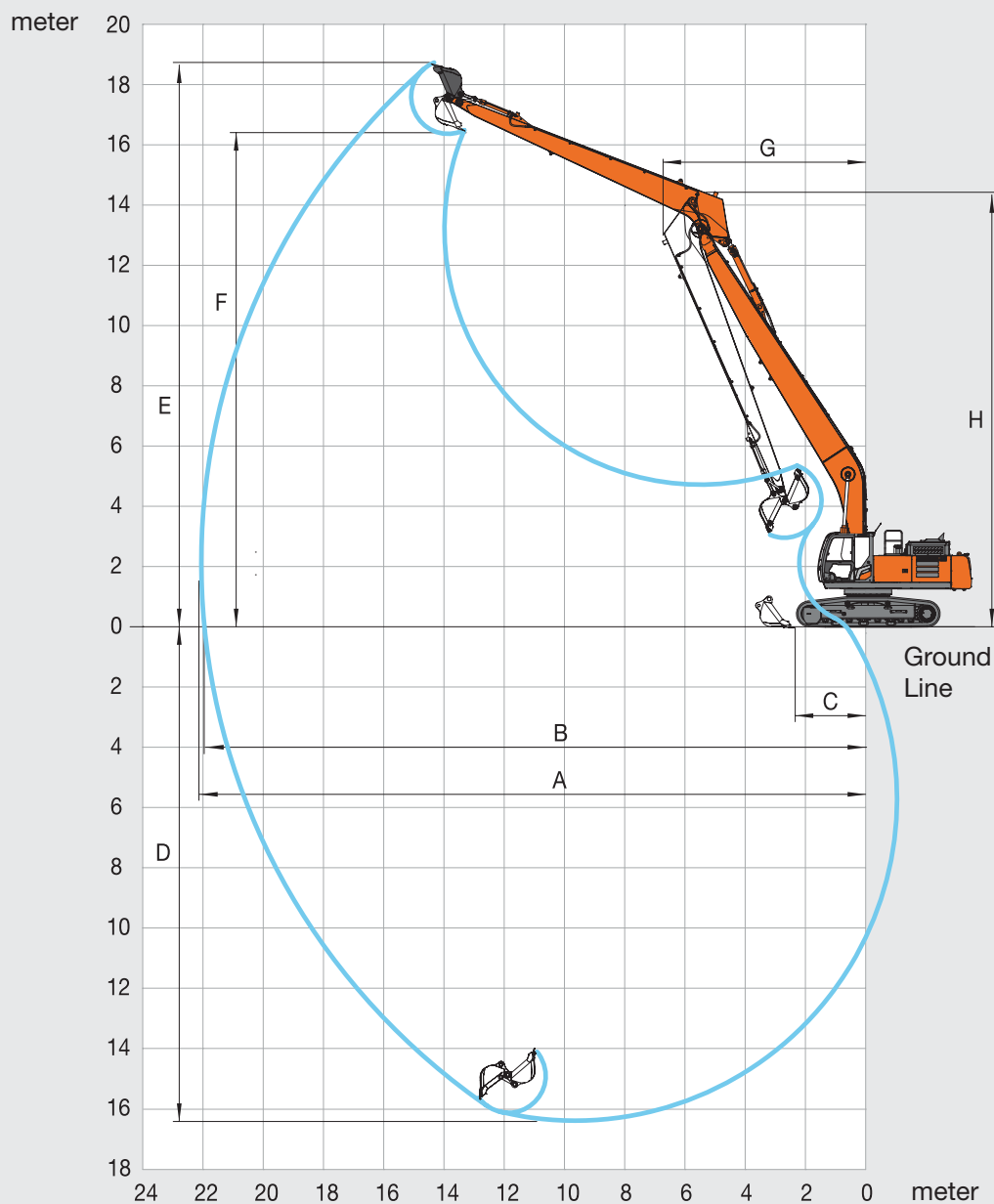
	ZX350LC TYPE HE22	ZX350LCN TYPE HE22	
A	Distance between tumblers	4 050	4 050
B	Undercarriage length	4 950	4 950
*C	Counterweight clearance	1 160	1 160
D	Rear-end swing radius	3 600	3 600
E	Overall width of upperstructure	2 990	2 990
F	Overall height of cab	3 150	3 150
F'	Overall height of handrail	3 220	3 220
*G	Min. ground clearance	500	500
H	Track gauge	2 590	2 390
I	Track shoe width	600 / 700 / 800 / 900	600 / 700
J	Undercarriage width	3 190 / 3 290 / 3 390 / 3 490	2 990 / 3 090
K	Overall width	3 190 / 3 290 / 3 390 / 3 490	2 990 / 3 090
L	Overall length	17 090	17 090
M	Overall height of boom	3 400	3 400
N	Track height with triple grouser shoes	1 070	1 070

•* : Excluding track shoe lug

SPECIFICATIONS

ZX350LC / ZX350LCN

WORKING RANGES



Unit: mm

	ZX350LC / ZX350LCN TYPE HE22
A Max. digging reach	22 070
B Max. digging reach (on ground)	21 970
C Max. level crowding distance	2 410
D Max. digging depth	16 430
E Max. cutting height	18 720
F Max. dumping height	16 360
G Min. swing radius	6 750
H Min. swing radius height	14 720
Bucket digging force ISO	64 kN (6 490 kgf)
Arm crowd force ISO	52 kN (5 330 kgf)

• Excluding track shoe lug

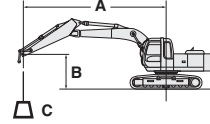
Note: Working range can be changed, depending on bucket size.

MACHINE CAPACITIES

ZX350LC / ZX350LCN

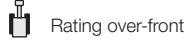
Metric measure

- Notes:
1. Ratings are based on ISO 10567.
 2. Machine capacity of the ZAXIS series does not exceed 75% of tipping load with the machine on firm, level ground or 87% full hydraulic capacity.
 3. The load point is the center-line of the bucket pivot mounting pin on the arm.
 4. * Indicates load limited by hydraulic capacity.
 5. 0m = Ground.
- For machine capacities, subtract bucket and quick hitch weight from machine capacities.



- A: Load radius
B: Load point height
C: Machine capacity

ZX350LCN TYPE HE15LD SUPER LONG FRONT



Rating over-front



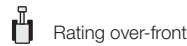
Rating over-side or 360 degrees

Unit: kg

Conditions	Load point height (m)	Load radius (m)									
		3.0		4.5		6.0		7.5		9.0	
Boom 9.00 m	12.0										
Arm 6.00 m	10.5										
Counterweight	9.0										
8 870 kg	7.5										
Additional counterweight	6.0									4 870*	4 870*
1 430 kg	4.5							6 190*	6 190*	5 310*	5 310*
600 mm grouser shoe	3.0			12 450*	12 450*	8 840*	8 840*	6 940*	6 940*	5 790*	5 790*
	1.5			5 440*	5 440*	9 900*	9 460*	7 610*	7 060*	6 230*	5 520*
0 (Ground)	0	1 790*	1 790*	5 000*	5 000*	10 540*	8 960*	8 090*	6 720*	6 560*	5 280*
	-1.5	3 330*	3 330*	5 870*	5 870*	10 720*	8 720*	8 320*	6 500*	6 740*	5 120*
	-3.0	4 930*	4 930*	7 300*	7 300*	10 510*	8 650*	8 280*	6 410*	6 740*	5 040*
	-4.5	6 670*	6 670*	9 180*	9 180*	9 950*	8 710*	7 960*	6 410*	6 510*	5 030*
	-6.0	8 660*	8 660*	11 390*	11 390*	9 030*	8 870*	7 320*	6 510*	6 000*	5 100*
	-7.5	11 070*	11 070*	9 430*	9 430*	7 660*	7 660*	6 270*	6 270*	5 080*	5 080*
	-9.0			6 750*	6 750*	5 650*	5 650*	4 580*	4 580*	3 400*	3 400*

Conditions	Load point height (m)	Load radius (m)						At max. reach		
		10.5		12.0		13.5				meter
Boom 9.00 m	12.0							3 500*	3 500*	10.4
Arm 6.00 m	10.5	4 030*	4 030*					3 320*	3 320*	11.6
Counterweight	9.0	4 050*	4 050*	3 910*	3 910*			3 230*	3 230*	12.6
8 870 kg	7.5	4 190*	4 190*	3 960*	3 960*			3 220*	3 220*	13.3
Additional counterweight	6.0	4 420*	4 420*	4 090*	3 990*	3 850*	3 220	3 250*	3 070*	13.8
1 430 kg	4.5	4 710*	4 710*	4 270*	3 880*	3 930*	3 160	3 340*	2 890*	14.2
600 mm grouser shoe	3.0	5 010*	4 630	4 460*	3 760	4 040*	3 090	3 460*	2 770	14.3
	1.5	5 300*	4 430	4 640*	3 630	4 130*	3 020	3 670*	2 730	14.4
0 (Ground)	0	5 520*	4 270	4 770*	3 530	4 770*	2 960	3 900*	2 730	14.2
	-1.5	5 640*	4 160	4 820*	3 460	4 140*	2 920	3 950*	2 810	13.9
	-3.0	5 620*	4 100	4 740*	3 430			3 980*	2 950	13.4
	-4.5	5 400*	4 100	4 470*	3 450			4 000*	3 200	12.7
	-6.0	4 900*	4 170					3 950*	3 610	11.8
	-7.5	3 910*	3 910*					3 800*	3 800*	10.6
	-9.0							3 380*	3 380*	9.0

ZX350LCN TYPE HE15LD SUPER LONG FRONT



Rating over-front



Rating over-side or 360 degrees

Unit: kg

Conditions	Load point height (m)	Load radius (m)									
		3.0		4.5		6.0		7.5		9.0	
Boom 9.00 m	12.0										
Arm 6.00 m	10.5										
Counterweight	9.0										
8 870 kg	7.5										
Additional counterweight	6.0									4 870*	4 870*
1 430 kg	4.5							6 190*	6 190*	5 310*	5 310*
600 mm grouser shoe	3.0			12 450*	12 450*	8 840*	8 840*	6 940*	6 940*	5 790*	5 790*
	1.5			5 440*	5 440*	9 900*	9 460*	7 610*	7 060*	6 230*	5 520*
0 (Ground)	0	1 790*	1 790*	5 000*	5 000*	10 540*	8 960*	8 090*	6 720*	6 560*	5 280*
	-1.5	3 330*	3 330*	5 870*	5 870*	10 720*	8 720*	8 320*	6 500*	6 740*	5 120*
	-3.0	4 930*	4 930*	7 300*	7 300*	10 510*	8 650*	8 280*	6 410*	6 740*	5 040*
	-4.5	6 670*	6 670*	9 180*	9 180*	9 950*	8 710*	7 960*	6 410*	6 510*	5 030*
	-6.0	8 660*	8 660*	11 390*	11 390*	9 030*	8 870*	7 320*	6 510*	6 000*	5 100*
	-7.5	11 070*	11 070*	9 430*	9 430*	7 660*	7 660*	6 270*	6 270*	5 080*	5 080*
	-9.0			6 750*	6 750*	5 650*	5 650*	4 580*	4 580*	3 400*	3 400*

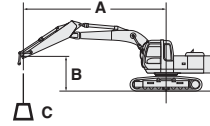
Conditions	Load point height (m)	Load radius (m)						At max. reach		
		10.5		12.0		13.5				meter
Boom 9.00 m	12.0							3 500*	3 500*	10.4
Arm 6.00 m	10.5	4 030*	4 030*					3 320*	3 320*	11.6
Counterweight	9.0	4 050*	4 050*	3 910*	3 910*			3 230*	3 230*	12.6
8 870 kg	7.5	4 190*	4 190*	3 960*	3 960*			3 220*	3 220*	13.3
Additional counterweight	6.0	4 420*	4 420*	4 090*	3 990*	3 850*	3 220	3 250*	3 070*	13.8
1 430 kg	4.5	4 710*	4 710*	4 270*	3 880*	3 930*	3 160	3 340*	2 890*	14.2
600 mm grouser shoe	3.0	5 010*	4 630	4 460*	3 760	4 040*	3 090	3 460*	2 770	14.3
	1.5	5 300*	4 430	4 640*	3 630	4 130*	3 020	3 670*	2 730	14.4
0 (Ground)	0	5 520*	4 270	4 770*	3 530	4 770*	2 960	3 900*	2 730	14.2
	-1.5	5 640*	4 160	4 820*	3 460	4 140*	2 920	3 950*	2 810	13.9
	-3.0	5 620*	4 100	4 740*	3 430			3 980*	2 950	13.4
	-4.5	5 400*	4 100	4 470*	3 450			4 000*	3 200	12.7
	-6.0	4 900*	4 170					3 950*	3 610	11.8
	-7.5	3 910*	3 910*					3 800*	3 800*	10.6
	-9.0							3 380*	3 380*	9.0

MACHINE CAPACITIES

ZX350LC / ZX350LCN

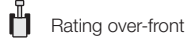
Metric measure

- Notes:
1. Ratings are based on ISO 10567.
 2. Machine capacity of the ZAXIS series does not exceed 75% of tipping load with the machine on firm, level ground or 87% full hydraulic capacity.
 3. The load point is the center-line of the bucket pivot mounting pin on the arm.
 4. * Indicates load limited by hydraulic capacity.
 5. 0m = Ground.
- For machine capacities, subtract bucket and quick hitch weight from machine capacities.



- A: Load radius
B: Load point height
C: Machine capacity

ZX350LC HE18LD SUPER LONG FRONT



Rating over-front

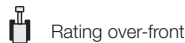
Rating over-side or 360 degrees

Unit: kg

Conditions	Load point height (m)	Load radius (m)											
		3.0		4.5		6.0		7.5		9.0		10.5	
		Rating over-front	Rating over-side or 360 degrees	Rating over-front	Rating over-side or 360 degrees	Rating over-front	Rating over-side or 360 degrees	Rating over-front	Rating over-side or 360 degrees	Rating over-front	Rating over-side or 360 degrees	Rating over-front	Rating over-side or 360 degrees
Boom 10.45 m	13.5												
Arm 7.02 m	12												
Counterweight 8 870 kg	10.5												
Additional counterweight 1 430 kg	9												
600 mm grouser shoe	7.5												
	6												
	4.5			9 980*	9 980*	7 270*	7 270*	5 780*	5 780*	4 450*	4 450*	3 690*	3 690*
	3			4 950*	4 950*	8 310*	8 310*	6 410*	6 410*	5 240*	5 240*	4 190*	4 190*
	1.5			2 770*	2 770*	9 100*	9 100*	6 930*	6 880*	5 600*	5 410*	4 710*	4 370*
	0 (Ground)			2 890*	2 890*	6 880*	6 880*	7 290*	6 450*	8 130*	5 100*	4 900*	4 150*
	-1.5	2 140*	2 140*	3 640*	3 640*	6 730*	6 730*	7 440*	6 180*	6 020*	4 890*	5 020*	3 990*
	-3	3 300*	3 300*	4 650*	4 650*	7 390*	7 390*	7 400*	6 050*	6 030*	4 760*	5 030*	3 880*
	-4.5	4 490*	4 490*	5 860*	5 860*	8 530*	8 220*	7 160*	6 020*	5 890*	4 710*	4 930*	3 840*
	-6	5 760*	5 760*	7 260*	7 260*	8 240*	8 240*	6 740*	6 080*	5 590*	4 740*	4 690*	3 850*
	-7.5	7 190*	7 190*	8 930*	8 930*	7 340*	7 340*	6 090*	6 090*	5 100*	4 830*	4 270*	3 920*
	-9	8 850*	8 850*	7 280*	7 280*	6 140*	6 140*	5 180*	5 180*	4 350*	4 350*	3 600*	3 600*
	-10.5					4 540*	4 540*	3 890*	3 890*	3 230*	3 230*	2 480*	2 480*

Conditions	Load point height (m)	Load radius (m)								At max. reach		
		12.0		13.5		15.0		16.5		meter	meter	meter
		Rating over-front	Rating over-side or 360 degrees	Rating over-front	Rating over-side or 360 degrees	Rating over-front	Rating over-side or 360 degrees	Rating over-front	Rating over-side or 360 degrees			
Boom 10.45 m	13.5	3 000*	3 000*							2 890*	2 890*	12.1
Arm 7.02 m	12	3 180*	3 180*							2 760*	2 760*	13.3
Counterweight 8 870 kg	10.5	3 190*	3 190*	3 030*	3 030*					2 700*	2 700*	14.3
Additional counterweight 1 430 kg	9	3 260*	3 260*	3 060*	3 060*	2 900*	2 840			2 670*	2 670*	15.1
600 mm grouser shoe	7.5	3 380*	3 380*	3 130*	3 130*	2 940*	2 810			2 680*	2 520	15.7
	6	3 540*	3 540*	3 230*	3 230*	2 990*	2 760			2 730*	2 340	16.2
	4.5	3 720*	3 720*	3 350*	3 250	3 060*	2 680			2 810*	2 220	16.4
	3	3 900*	3 780	3 480*	3 120	3 140*	2 600			2 830*	2 130	16.6
	1.5	4 070*	3 600	3 590*	2 990	3 210*	2 510	2 860*	2 170	2 880*	2 120	16.6
	0 (Ground)	4 200*	3 440	3 670*	2 890	3 250*	2 440	2 870*	2 090	2 860*	2 080	16.5
	-1.5	4 280*	3 320	3 710*	2 800	3 250*	2 390			2 870*	2 110	16.2
	-3	4 280*	3 240	3 690*	2 750	3 180*	2 370			2 890*	2 190	15.8
	-4.5	4 190*	3 210	3 570*	2 730	3 000*	2 380			2 890*	2 320	15.2
	-6	3 960*	3 220	3 320*	2 760					2 870*	2 530	14.5
	-7.5	3 560*	3 290	2 840*	2 840*					2 790*	2 790*	13.5
	-9	2 850*	2 850*							2 640*	2 640*	12.3
	-10.5									2 310*	2 310*	10.8

ZX350LCN HE18LD SUPER LONG FRONT



Rating over-front

Rating over-side or 360 degrees

Unit: kg

Conditions	Load point height (m)	Load radius (m)											
		3.0		4.5		6.0		7.5		9.0		10.5	
		Rating over-front	Rating over-side or 360 degrees	Rating over-front	Rating over-side or 360 degrees	Rating over-front	Rating over-side or 360 degrees	Rating over-front	Rating over-side or 360 degrees	Rating over-front	Rating over-side or 360 degrees	Rating over-front	Rating over-side or 360 degrees
Boom 10.45 m	13.5												
Arm 7.02 m	12												
Counterweight 8 870 kg	10.5												
Additional counterweight 1 430 kg	9												
600 mm grouser shoe	7.5												
	6												
	4.5			9 980*	9 980*	7 270*	7 270*	5 780*	5 780*	4 450*	4 450*	3 690*	3 690*
	3			4 950*	4 950*	8 310*	8 310*	6 410*	6 410*	5 240*	5 240*	4 190*	4 190*
	1.5			2 770*	2 770*	9 100*	9 100*	6 930*	6 320	5 600*	4 980	4 710*	4 020
	0 (Ground)			2 890*	2 890*	6 880*	6 880*	7 290*	5 900	8 130	4 680	4 900*	3 810
	-1.5	2 140*	2 140*	3 640*	3 640*	6 730*	6 730*	7 440*	5 630	6 020*	4 460	5 020*	3 640
	-3	3 300*	3 300*	4 650*	4 650*	7 390*	7 390*	7 400*	5 500	6 030*	4 340	5 030*	3 540
	-4.5	4 490*	4 490*	5 860*	5 860*	8 530*	7 460	7 160*	5 480	5 890*	4 290	4 930*	3 490
	-6	5 760*	5 760*	7 260*	7 260*	8 240*	7 580	6 740*	5 530	5 590*	4 320	4 690*	3 510
	-7.5	7 190*	7 190*	8 930*	8 930*	7 340*	7 340*	6 090*	5 660	5 100*	4 400	4 270*	3 580
	-9	8 850*	8 850*	7 280*	7 280*	6 140*	6 140*	5 180*	5 180*	4 350*	4 350*	3 600*	3 600*
	-10.5					4 540*	4 540*	3 890*	3 890*	3 230*	3 230*	2 480*	2 480*

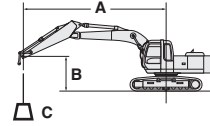
Conditions	Load point height (m)	Load radius (m)								At max. reach		
		12.0		13.5		15.0		16.5		meter	meter	meter
		Rating over-front	Rating over-side or 360 degrees	Rating over-front	Rating over-side or 360 degrees	Rating over-front	Rating over-side or 360 degrees	Rating over-front	Rating over-side or 360 degrees			
Boom 10.45 m	13.5	3 000*	3 000*							2 890*	2 890*	12.1
Arm 7.02 m	12	3 180*	3 180*							2 760*	2 760*	13.3
Counterweight 8 870 kg	10.5	3 190*	3 190*	3 030*	3 030*					2 700*	2 700*	14.3
Additional counterweight 1 430 kg	9	3 260*	3 260*	3 060*	3 060*	2 900*	2 620			2 670*	2 550	15.1
600 mm grouser shoe	7.5	3 380*	3 380*	3 130*	3 130*	2 940*	2 590			2 680*	2 310	15.7
	6	3 540*	3 540*	3 230*	3 110	2 990*	2 530			2 730*	2 140	16.2
	4.5	3 720*	3 670	3 350*	2 990	3 060*	2 460			2 810*	2 020	16.4
	3	3 900*	3 480	3 480*	2 870	3 140*	2 380			2 830*	1 940	16.6
	1.5	4 070*	3 300	3 590*	2 740	3 210*	2 290	2 860*	1 970	2 840*	1 900	16.6
	0 (Ground)	4 200*	3 150	3 670*	2 630	3 250*	2 220	2 870*	1 890	2 860*	1 890	16.5
	-1.5	4 280*	3 030	3 710*	2 550	3 250*	2 170			2 870*	1 910	16.2
	-3	4 280*	2 950	3 690*	2 500	3 180*	2 150			2 890*	1 990	15.8
	-4.5	4 190*	2 920	3 570*	2 480	3 000*	2 160			2 890*	2 110	15.2
	-6	3 960*	2 930	3 320*	2 510					2 870*	2 300	14.5
	-7.5	3 560*	3 000	2 840*	2 600					2 790*	2 590	13.5
	-9	2 850*	2 850*							2 640*	2 640*	12.3
	-10.5									2 310*	2 310*	10.8

MACHINE CAPACITIES

ZX350LC / ZX350LCN

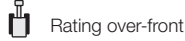
Metric measure

- Notes:
1. Ratings are based on ISO 10567.
 2. Machine capacity of the ZAXIS series does not exceed 75% of tipping load with the machine on firm, level ground or 87% full hydraulic capacity.
 3. The load point is the center-line of the bucket pivot mounting pin on the arm.
 4. * Indicates load limited by hydraulic capacity.
 5. 0m = Ground.
- For machine capacities, subtract bucket and quick hitch weight from machine capacities.



- A: Load radius
- B: Load point height
- C: Machine capacity

ZX350LC HE20LD SUPER LONG FRONT



Rating over-front

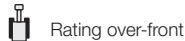
Rating over-side or 360 degrees

Unit: kg

Conditions	Load point height (m)	Load radius (m)											
		3.0		4.5		6.0		7.5		9.0		10.5	
Boom 11.80 m Arm 8.20 m Counterweight 8 870 kg Additional counterweight 1 070 kg 600 mm grouser shoe	6.0												
	4.5			9 110*	9 110*	6 500*	6 500*	5 070*	5 070*	4 160*	4 160*	3 300*	3 300*
	3.0			3 790*	3 790*	7 360*	7 360*	5 590*	5 590*	4 500*	4 500*	3 770*	3 770*
	1.5			2 290*	2 290*	6 580*	6 580*	6 030*	6 030*	4 810*	4 810*	3 990*	3 910
	0 (Ground)			2 400*	2 400*	5 140*	5 140*	6 330*	5 590	5 050*	4 450	4 170*	3 630
	-1.5	1 910*	1 910*	2 940*	2 940*	5 020*	5 020*	6 480*	5 260	5 190*	4 180	4 290*	3 410
	-3.0	2 730*	2 730*	3 640*	3 640*	5 420*	5 420*	6 490*	5 090	5 240*	4 010	4 340*	3 260
	-4.5	3 540*	3 540*	4 430*	4 430*	6 090*	6 090*	6 350*	5 030	5 190*	3 920	4 320*	3 180
	-6.0	4 380*	4 380*	5 300*	5 300*	6 960*	6 960*	6 090*	2 050	5 020*	3 910	4 210*	3 150
	-7.5	5 260*	5 260*	6 270*	6 270*	6 920*	6 920*	5 690*	5 140	4 740*	3 960	3 990*	3 180
	-9.0	6 220*	6 220*	7 370*	7 370*	6 160*	6 160*	5 140*	5 140*	4 330*	4 060	3 660*	3 260
	-10.5	7 270*	7 270*	6 150*	6 150*	5 190*	5 190*	4 410*	4 410*	3 740*	3 740*	3 160*	3 160*
	-12.0			4 460*	4 460*	3 950*	3 950*	3 430*	3 430*	2 930*	2 930*	2 430*	2 430*
	-13.5							2 110*	2 110*	1 770*	1 770*	1 310*	1 310*

Conditions	Load point height (m)	Load radius (m)										At max. reach		
		12.0		13.5		15.0		16.5		18.0		meter	meter	
Boom 11.80 m Arm 8.20 m Counterweight 8 870 kg Additional counterweight 1 070 kg 600 mm grouser shoe	15.0			1 940*	1 940*							1 540*	1 540*	13.9
	13.5					1 680*	1 680*					1 470*	1 470*	15.2
	12.0					2 180*	2 180*					1 430*	1 430*	16.2
	10.5			2 340*	2 340*	2 190*	2 190*	2 020*	2 020*			1 410*	1 410*	17.0
	9.0			2 410*	2 410*	2 230*	2 230*	2 090*	2 090*			1 410*	1 410*	17.7
	7.5	2 760*	2 760*	2 500*	2 500*	2 290*	2 290*	2 130*	2 130*	1 750*	1 750*	1 420*	1 420*	18.2
	6.0	2 910*	2 910*	2 610*	2 610*	2 370*	2 370*	2 180*	2 110	2 020*	1 710	1 450*	1 450*	18.6
	4.5	3 080*	3 080*	2 730*	2 730*	2 460*	2 460*	2 230*	2 020	2 050*	1 650	1 510*	1 470	18.9
	3.0	3 250*	3 250*	2 850*	2 820	2 540*	2 330	2 290*	1 930	2 090*	1 600	1 570*	1 400	19.0
	1.5	3 410*	3 200	2 970*	2 650	2 620*	2 210	2 340*	1 840	2 120*	1 540	1 660*	1 360	19.0
	0 (Ground)	3 540*	3 000	3 060*	2 500	2 690*	2 100	2 390*	1 760	2 130*	1 490	1 780*	1 340	18.9
	-1.5	3 630*	2 830	3 130*	2 370	2 730*	2 000	2 300*	1 700	2 120*	1 450	1 920*	1 350	18.7
	-3.0	3 680*	2 710	3 160*	2 280	2 750*	1 940	2 400*	1 650	2 080*	1 430	2 010*	1 390	18.3
	-4.5	3 660*	2 640	3 140*	2 220	2 710*	1 900	2 400*	1 640			2 020*	1 450	17.8
	-6.0	3 570*	2 610	3 050*	2 210	2 620*	1 890	2 210*	1 650			2 020*	1 560	17.2
	-7.5	3 390*	2 630	2 880*	2 230	2 430*	1 920					2 000*	1 710	16.4
-9.0	3 090*	2 700	2 590*	2 290	2 100*	2 000					1 960*	1 940	15.4	
-10.5	2 630*	2 630*	2 120*	2 120*							1 860*	1 860*	14.2	
-12.0	1 920*	1 920*									1 660*	1 660*	12.7	
-13.5											1 220*	1 220*	10.7	

ZX350LCN HE20LD SUPER LONG FRONT



Rating over-front

Rating over-side or 360 degrees

Unit: kg

Conditions	Load point height (m)	Load radius (m)											
		3.0		4.5		6.0		7.5		9.0		10.5	
Boom 11.80 m Arm 8.20 m Counterweight 8 870 kg Additional counterweight 1 070 kg 600 mm grouser shoe	6.0												
	4.5			9 110*	9 110*	6 500*	6 500*	5 070*	5 070*	4 160*	4 160*	3 300*	3 300*
	3.0			3 790*	3 790*	7 360*	7 360*	5 590*	5 590*	4 500*	4 500*	3 770*	3 770*
	1.5			2 290*	2 290*	6 580*	6 580*	6 030*	5 560	4 810*	4 410	3 990*	3 560
	0 (Ground)			2 400*	2 400*	5 140*	5 140*	6 330*	5 050	5 050*	4 030	4 170*	3 290
	-1.5	1 910*	1 910*	2 940*	2 940*	5 020*	5 020*	6 480*	4 730	5 190*	3 760	4 290*	3 070
	-3.0	2 730*	2 730*	3 640*	3 640*	5 420*	5 420*	6 490*	4 560	5 240*	3 600	4 340*	2 930
	-4.5	3 540*	3 540*	4 430*	4 430*	6 090*	6 090*	6 350*	4 500	5 190*	3 510	4 320*	2 840
	-6.0	4 380*	4 380*	5 300*	5 300*	6 960*	6 270	6 090*	4 530	5 020*	3 500	4 210*	2 820
	-7.5	5 260*	5 260*	6 270*	6 270*	6 930*	6 430	5 690*	4 620	4 740*	3 550	4 000*	2 840
	-9.0	6 220*	6 220*	7 370*	7 370*	6 160*	6 160*	5 140*	4 770	4 330*	3 650	3 660*	2 920
	-10.5	7 270*	7 270*	6 150*	6 150*	5 190*	5 190*	4 410*	4 410*	3 740*	3 740*	3 160*	3 060
	-12.0			4 460*	4 460*	3 950*	3 950*	3 430*	3 430*	2 930*	2 930*	2 440*	2 440*
	-13.5							2 110*	2 110*	1 770*	1 770*	1 310*	1 310*

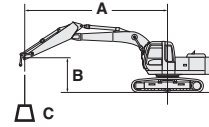
Conditions	Load point height (m)	Load radius (m)										At max. reach		
		12.0		13.5		15.0		16.5		18.0		meter	meter	
Boom 11.80 m Arm 8.20 m Counterweight 8 870 kg Additional counterweight 1 070 kg 600 mm grouser shoe	15.0			1 940*	1 940*							1 540*	1 540*	13.9
	13.5					1 680*	1 680*					1 470*	1 470*	15.2
	12.0					2 180*	2 180*					1 430*	1 430*	16.2
	10.5			2 350*	2 350*	2 190*	2 190*	2 020*	2 020*			1 410*	1 410*	17.0
	9.0			2 410*	2 410*	2 230*	2 230*	2 090*	2 040			1 410*	1 410*	17.7
	7.5	2 760*	2 760*	2 500*	2 500*	2 290*	2 290*	2 130*	1 980	1 750*	1 570	1 420*	1 420*	18.2
	6.0	2 910*	2 910*	2 610*	2 610*	2 370*	2 360	2 180*	1 910	2 020*	1 530	1 450*	1 390	18.6
	4.5	3 080*	3 080*	2 730*	2 730*	2 460*	2 240	2 230*	1 830	2 050*	1 480	1 510*	1 300	18.9
	3.0	3 250*	3 150	2 850*	2 570	2 540*	2 110	2 290*	1 740	2 090*	1 420	1 580*	1 240	19.0
	1.5	3 400*	2 910	2 970*	2 400	2 620*	1 990	2 350*	1 650	2 120*	1 360	1 660*	1 200	19.0
	0 (Ground)	3 530*	2 710	3 060*	2 250	2 690*	1 880	2 400*	1 570	2 130*	1 310	1 780*	1 180	18.9
	-1.5	3 630*	2 550	3 130*	2 130	2 740*	1 790	2 410*	1 510	2 120*	1 270	1 920*	1 190	18.7
	-3.0	3 680*	2 430	3 160*	2 040	2 750*	1 720	2 400*	1 460	2 080*	1 250	2 010*	1 220	18.3
	-4.5	3 660*	2 360	3 140*	1 980	2 710*	1 680	2 340*	1 440			2 020*	1 280	17.8
	-6.0	3 570*	2 330	3 050*	1 960	2 620*	1 680	2 210*	1 450			2 020*	1 380	17.2
	-7.5	3 390*	2 350	2 880*	1 980	2 340*	1 710					2 000*	1 520	16.4
-9.0	3 090*	2 420	2 590*	2 050	2 100*	1 790					1 960*	1 730	15.4	
-10.5	2 640*	2 540	2 120*	2 120*							1 860*	1 860*	14.2	
-12.0	1 920*	1 920*									1 660*	1 660*	12.7	
-13.5											1 220*	1 220*	10.7	

MACHINE CAPACITIES

ZX350LC / ZX350LCN

Metric measure

- Notes: 1. Ratings are based on ISO 10567.
 2. Machine capacity of the ZAXIS series does not exceed 75% of tipping load with the machine on firm, level ground or 87% full hydraulic capacity.
 3. The load point is the center-line of the bucket pivot mounting pin on the arm.
 4. * Indicates load limited by hydraulic capacity.
 5. 0m = Ground.
 For machine capacities, subtract bucket and quick hitch weight from machine capacities.



A: Load radius
 B: Load point height
 C: Machine capacity

ZX350LC HE22 SUPER LONG FRONT

Rating over-front

Rating over-side or 360 degrees

Unit: kg

Conditions	Load point height (m)	Load radius (m)										At max. reach			
		3.0		4.5		6.0		7.5		9.0		10.5			
Boom: 12.3 m	4.5													3 220*	3 220*
Arm 9.45 m	3.0													3 500*	3 500*
Counterweight: 8 870 kg	1.5			5 710*	5 710*	6 700*	6 700*	5 130*	5 130*	4 160*	4 160*			3 760*	3 760*
Additional counterweight: 1 070 kg	0 (Ground)	790*	790*	2 070*	2 070*	4 580*	4 580*	6 100*	5 750	4 850*	4 580	4 000*	3 720	4 000*	3 720
	-1.5	1 350*	1 350*	2 280*	2 280*	4 090*	4 090*	6 400*	5 320	5 090*	4 230	4 190*	3 460	4 190*	3 460
	-3.0	1 910*	1 910*	2 710*	2 710*	4 190*	4 190*	6 550*	5 050	5 240*	4 000	4 330*	3 260	4 330*	3 260
	-4.5	2 500*	2 500*	3 240*	3 240*	4 580*	4 580*	6 580*	4 920	5 310*	3 860	4 400*	3 130	4 400*	3 130
	-6.0	3 110*	3 110*	3 850*	3 850*	5 140*	5 140*	6 480*	4 880	5 280*	3 790	4 390*	3 070	4 390*	3 070
	-7.5	3 750*	3 750*	4 530*	4 530*	5 840*	5 840*	6 270*	4 920	5 150*	3 790	4 310*	3 050	4 310*	3 050
	-9.0	4 450*	4 450*	5 300*	5 300*	6 690*	6 690*	5 930*	5 020	4 910*	3 850	4 130*	3 090	4 130*	3 090
	-10.5	5 210*	5 210*	6 170*	6 170*	6 640*	6 640*	5 440*	5 180	4 550*	3 970	3 840*	3 170	3 840*	3 170
	-12.0	6 050*	6 050*	7 090*	7 090*	5 750*	5 750*	4 990*	4 790*	4 030*	4 030*	3 410*	3 310	3 410*	3 310
	-13.5			5 500*	5 500*	4 610*	4 610*	3 900*	3 900*	3 300*	3 300*	2 770*	2 770*	2 770*	2 770*
	-15									2 270*	2 270*	1 810*	1 810*	1 810*	1 810*

Conditions	Load point height (m)	Load radius (m)										At max. reach				
		12.0		13.5		15.0		16.5		18.0		19.5		Meters		
Boom: 12.3 m	16.5					1 250*	1 250*							15.0	1 250*	1 250*
Arm 9.45 m	15					1 910*	1 910*							16.3	1 170*	1 170*
Counterweight: 8 870 kg	13.5					1 890*	1 890*	1 820*	1 820*					17.4	1 120*	1 120*
Additional counterweight: 1 070 kg	12					1 900*	1 900*	1 830*	1 830*	1 400*	1 400*			18.3	1 100*	1 100*
	10.5					1 930*	1 930*	1 830*	1 830*	1 760*	1 760*			19.0	1 080*	1 080*
	9					1 990*	1 990*	1 870*	1 870*	1 780*	1 780*	1 250*	1 250*	19.6	1 080*	1 080*
	7.5			2 250*	2 250*	2 070*	2 070*	1 930*	1 930*	1 810*	1 810*	1 720*	1 520	20.1	1 090*	1 090*
	6	2 630*	2 630*	2 370*	2 370*	2 170*	2 170*	2 000*	2 000*	1 860*	1 820	1 750*	1 480	20.5	1 110*	1 110*
	4.5	2 820*	2 820*	2 520*	2 520*	2 270*	2 270*	2 080*	2 080*	1 920*	1 750	1 790*	1 430	20.7	1 150*	1 150*
	3	3 020*	3 020*	2 660*	2 660*	2 390*	2 390*	2 160*	2 160*	1 980*	1 670	1 830*	1 380	20.8	1 190*	1 160
	1.5	3 220*	3 220*	2 810*	2 740	2 500*	2 280	2 250*	1 900	2 040*	1 590	1 870*	1 320	20.8	1 250*	1 120
	0 (ground)	3 400*	3 070	2 950*	2 560	2 600*	2 140	2 320*	1 800	2 100*	1 520	1 900*	1 270	20.7	1 330*	1 110
	-1.5	3 550*	2 870	3 060*	2 400	2 690*	2 030	2 390*	1 710	2 140*	1 450	1 920*	1 230	20.5	1 400*	1 110
	-3	3 660*	2 710	3 150*	2 280	2 750*	1 930	2 430*	1 640	2 160*	1 400	1 920*	1 210	20.2	1 530*	1 130
	-4.5	3 720*	2 600	3 200*	2 190	2 780*	1 860	2 450*	1 600	2 150*	1 380	1 880*	1 200	19.7	1 670*	1 180
	-6	3 720*	2 540	3 200*	2 140	2 780*	1 830	2 420*	1 570	2 100*	1 370			19.2	1 850*	1 250
	-7.5	3 660*	2 530	3 140*	2 130	2 710*	1 820	2 340*	1 580	1 980*	1 400			18.5	1 860*	1 350
	-9	3 510*	2 550	3 010*	2 150	2 580*	1 850	2 170*	1 620					17.6	1 870*	1 500
	-10.5	3 260*	2 620	2 770*	2 220	2 320*	1 920	1 860*	1 720					16.5	1 850*	1 710
	-12	2 870*	2 740	2 390*	2 340	1 890*	1 890*							15.2	1 790*	1 790*
	-13.5	2 270*	2 270*	1 740*	1 740*									13.7	1 650*	1 650*

ZX350LCN HE22 SUPER LONG FRONT

Rating over-front

Rating over-side or 360 degrees

Unit: kg

Conditions	Load point height (m)	Load radius (m)										At max. reach			
		3.0		4.5		6.0		7.5		9.0		10.5			
Boom: 12.3 m	4.5													3 220*	3 220*
Arm 9.45 m	3.0													3 500*	3 500*
Counterweight: 8 870 kg	1.5			5 710*	5 710*	6 700*	6 700*	5 130*	5 130*	4 160*	4 160*			3 760*	3 710
Additional counterweight: 1 070 kg	0 (Ground)	790*	790*	2 070*	2 070*	4 580*	4 580*	6 100*	5 220	4 850*	4 160	4 000*	3 380	4 000*	3 380
	-1.5	1 350*	1 350*	2 280*	2 280*	4 090*	4 090*	6 400*	4 790	5 090*	3 820	4 190*	3 120	4 190*	3 120
	-3.0	1 910*	1 910*	2 710*	2 710*	4 190*	4 190*	6 550*	4 530	5 240*	3 590	4 330*	2 930	4 330*	2 930
	-4.5	2 500*	2 500*	3 240*	3 240*	4 580*	4 580*	6 580*	4 390	5 310*	3 450	4 400*	2 800	4 400*	2 800
	-6.0	3 110*	3 110*	3 850*	3 850*	5 140*	5 140*	6 480*	4 360	5 280*	3 390	4 390*	2 730	4 390*	2 730
	-7.5	3 750*	3 750*	4 530*	4 530*	5 840*	5 840*	6 270*	4 400	5 150*	3 390	4 310*	2 720	4 310*	2 720
	-9.0	4 450*	4 450*	5 300*	5 300*	6 690*	6 690*	5 930*	4 500	4 910*	3 450	4 130*	2 760	4 130*	2 760
	-10.5	5 210*	5 210*	6 170*	6 170*	6 640*	6 640*	5 440*	4 650	4 550*	3 560	3 840*	2 840	3 840*	2 840
	-12.0	6 050*	6 050*	7 090*	7 090*	5 750*	5 750*	4 990*	4 790*	4 030*	3 720	3 410*	2 980	3 410*	2 980
	-13.5			5 500*	5 500*	4 610*	4 610*	3 900*	3 900*	3 300*	3 300*	2 770*	2 770*	2 770*	2 770*
	-15									2 270*	2 270*	1 810*	1 810*	1 810*	1 810*

Conditions	Load point height (m)	Load radius (m)										At max. reach				
		12.0		13.5		15.0		16.5		18.0		19.5		Meters		
Boom: 12.3 m	16.5					1 250*	1 250*							15.0	1 250*	1 250*
Arm 9.45 m	15					1 910*	1 910*							16.3	1 170*	1 170*
Counterweight: 8 870 kg	13.5					1 890*	1 890*	1 820*	1 820*					17.4	1 120*	1 120*
Additional counterweight: 1 070 kg	12					1 900*	1 900*	1 810*	1 810*	1 400*	1 400*			18.3	1 100*	1 100*
	10.5					1 930*	1 930*	1 830*	1 830*	1 760*	1 760*			19.0	1 080*	1 080*
	9					1 990*	1 990*	1 870*	1 870*	1 780*	1 780*	1 250*	1 250*	19.6	1 080*	1 080*
	7.5			2 250*	2 250*	2 070*	2 070*	1 930*	1 930*	1 810*	1 710	1 720*	1 360	20.1	1 090*	1 090*
	6	2 630*	2 630*	2 370*	2 370*	2 170*	2 170*	2 000*	2 000*	1 860*	1 650	1 750*	1 320	20.5	1 110*	1 110*
	4.5	2 820*	2 820*	2 520*	2 520*	2 270*	2 270*	2 080*	1 930	1 920*	1 570	1 790*	1 270	20.7	1 150*	1 060
	3	3 020*	3 020*	2 660*	2 660*	2 390*	2 210	2 160*	1 820	1 980*	1 490	1 830*	1 220	20.8	1 190*	1 010
	1.5	3 220*	3 020	2 810*	2 490	2 500*	2 060	2 250*	1 710	2 040*	1 410	1 870*	1 160	20.8	1 250*	970
	0 (ground)	3 400*	2 790	2 950*	2 310	2 600*	1 930	2 320*	1 610	2 100*	1 340	1 900*	1 120	20.7	1 330*	960
	-1.5	3 550*	2 580	3 060*	2 160	2 690*	1 810	2 390*	1 520	2 140*	1 280	1 920*	1 080	20.5	1 400*	960
	-3	3 660*	2 430	3 150*	2 040	2 750*	1 720	2 430*	1 450	2 160*	1 230	1 920*	1 050	20.2	1 530*	980
	-4.5	3 720*	2 320	3 200*	1 950	2 780*	1 650	2 450*	1 400	2 150*	1 200	1 880*	1 040	19.7	1 670*	1 020
	-6	3 720*	2 260	3 200*	1 900	2 780*	1 610	2 420*	1 380	2 100*	1 200			19.2	1 850*	1 090
	-7.5	3 660*	2 240	3 140*	1 890	2 710*										

EQUIPMENT

● : Standard equipment ○ : Optional equipment

ENGINE	ZX250LC/ ZX250LCN	ZX300LC/ ZX300LCN	ZX350LC/ ZX350LCN
Aftertreatment device	●	●	●
Air cleaner double filters	●	●	●
Alternator 60 A	●	—	—
Alternator 90 A	—	●	●
Auto idle system	●	●	●
Auto shut-down control	●	●	●
Cartridge-type engine oil filter	●	●	●
Cartridge-type fuel main filter	●	●	●
Cold fuel resistance valve	●	●	●
ConSite OIL (Sensor)*	●	●	●
DEF/AdBlue® tank inlet strainer and extension filler	●	●	●
DEF/AdBlue® tank with ISO magnet adapter	●	●	●
Dry-type air filter with evacuator valve (with air filter restriction indicator)	●	●	●
Dust-proof indoor net	●	●	●
ECO/PWR mode control	●	●	●
Electrical fuel feed pump	●	●	●
Engine oil drain coupler	●	●	●
Expansion tank	●	●	●
Fan guard	●	●	●
Fuel cooler	●	●	●
Fuel pre-filter with water separator	●	●	●
Isolation-mounted engine	●	●	●
Maintenance free pre-cleaner	○	○	○
Radiator, oil cooler and intercooler	●	●	●

HYDRAULIC SYSTEM			
Auto power lift	●	●	●
ConSite OIL (Sensor)*	●	●	●
Control valve with main relief valve	●	●	●
High mesh full flow filter	●	●	●
Hose rupture valve for arm	●	●	●
Hose rupture valve for boom	●	●	●
Pilot filter	●	●	●
Power boost	●	●	●
Restriction indicator for full flow filter	○	○	○
Suction filter	●	●	●
Swing dampener valve	●	●	●
Two extra port for control valve	●	●	●
Variable reliefvalve for breaker & crusher	●	●	●
Work mode selector	●	●	●

CAB	ZX250LC/ ZX250LCN	ZX300LC/ ZX300LCN	ZX350LC/ ZX350LCN
All-weather sound suppressed steel cab	●	●	●
Auto control air conditioner	●	●	●
AUX function lever (Breaker assist)	○	○	○
Bluetooth® integrated DAB+radio	●	●	●
Console height adjustment	●	●	●
CRES VII (Center pillar reinforced structure) cab	●	●	●
Drink holder with hot & cool function	●	●	●
Electric double horn	●	●	●
Engine shut-off switch	●	●	●
Equipped with reinforced, tinted (Green color) glass windows	●	●	●
Evacuation hammer	●	●	●
Floor mat	●	●	●
Footrest	●	●	●
Front window washer (2 points)	●	●	●
Glove compartment	●	●	●
Hands-free calling device	●	●	●
Hot & cool box	●	●	●
Intermittent windshield wipers	●	●	●
Key cylinder light	●	●	●
Laminated round glass window	○	○	○
LED room light with door courtesy	●	●	●
Magazine rack	●	●	●
OPG front guard Level II (ISO10262) compliant	○	○	○
OPG top guard Level I (ISO10262) compliant cab	●	●	●
OPG top guard Level II (ISO10262) compliant	○	○	○
Parallel link wiper	●	●	●
Pilot shut-off lever	●	●	●
Power outlet 12 V & 24V	●	●	●
Rain guard (without OPG front guard)	●	●	●
Rear tray	●	●	●
Retractable seat belt	●	●	●
ROPS (ISO12117-2) compliant cab	●	●	●
Rubber radio antenna	●	●	●
Seat : air suspension seat with heater	●	●	●
Seat adjustment part : backrest, armrest, height and angle, slide forward / back	●	●	●
Seat belt reminder	●	●	●
Short wrist control levers	●	●	●
Smartphone holder	●	●	●
Sunscreen roller type (multi-use front or side and rear window)	○	○	○
Transparent roof with slide curtain	●	●	●
USB power supply	●	●	●
Windows on front, upper, lower and left side can be opened	●	●	●
2 speakers	●	●	●
4 fluid-filled elastic mounts	●	●	●
8 inch monitor	●	●	●

EQUIPMENT

● : Standard equipment ○ : Optional equipment

MONITOR SYSTEM	ZX250LC/ ZX250LCN	ZX300LC/ ZX300LCN	ZX350LC/ ZX350LCN
Alarms: overheat, engine warning, engine oil pressure, alternator, minimum fuel level, hydraulic filter restriction, air filter restriction, work mode, overload, SCR system trouble, etc	●	●	●
Alarm buzzers: overheat, engine oil pressure, overload, SCR system trouble, etc	●	●	●
Display of meters: water temperature, hour, fuel rate, clock, DEF/AdBlue® rate, etc	●	●	●
Other displays: work mode, auto-idle, glow, rearview monitor, operating conditions, etc	●	●	●
35 languages selection	●	●	●

LIGHTS			
Additional boom LED light with cover	○	○	○
Additional cab roof front LED lights	○	○	○
Additional cab roof rear LED light	○	○	○
LED lights for camera (Side and rear view camera)	○	○	○
Rotating lamp	○	○	○
2 working LED lights	●	●	●

UPPER STRUCTURE			
Aerial Angle® (Side and rear view camera)	●	●	●
Batteries 2 x 120 Ah	●	–	–
Batteries 2 x 128 Ah	–	●	●
Battery disconnect switch	●	●	●
Body top handrail	●	●	●
Counterweight 7 750 kg	●	–	–
Counterweight 7 200 kg	–	●	–
Counterweight 8 870 kg	–	–	●
Additional counterweight 550 kg	–	○	–
Additional counterweight 1430 kg	–	–	○
Additional counterweight 1070 kg	–	–	○
Electric fuel refilling pump with auto stop and filter	●	●	●
Fuel level float	●	●	●
Hydraulic oil level gauge	●	●	●
Lockable fuel refilling cap	●	●	●
Lockable machine covers	●	●	●
Lockable tool box	●	●	●
Platform handrail	●	●	●
Skid-resistant plates	●	●	●
Swing parking brake	●	●	●
Undercover	●	●	●
Utility space	●	●	●

UNDERCARRIAGE	ZX250LC/ ZX250LCN	ZX300LC/ ZX300LCN	ZX350LC/ ZX350LCN
Bolt-on sprocket	●	●	●
Reinforced track links with pin seals	●	●	●
Shoe: 600 mm triple grouser	●	●	●
Towing hook	●	●	●
Track undercover	●	●	●
Travel direction mark on track frame	●	●	●
Travel motor covers	●	●	●
Travel parking brake	●	●	●
Upper and lower rollers	●	●	●
3 track guards (Each side) and hydraulic track adjuster	●	●	●
4 tie down hooks	●	●	●

FRONT ATTACHMENTS			
Arm tip remote lubrication	●	●	●
Casted bucket link A	●	●	●
Centralized lubrication system	●	●	●
Dirt seal on all bucket pins	●	●	●
Flanged pin	●	●	●
HN bushing	●	●	●
Lower arm reinforcement	○	○	○
Reinforced resin thrust plate	●	●	●
WC (tungsten-carbide) thermal spraying	●	●	●
Welded bucket link A with welded hook	○	○	–

ATTACHMENTS			
Breaker and crusher piping	–	–	–
Pilot accumulator	●	●	●
Accessories for 2 speed selector	○	○	○
Additional pump (30 L/min)	○	○	○
Assist piping	○	○	○

MISCELLANEOUS			
ConSite	○	○	○
Global e-Service	●	●	●
Onboard information controller	●	●	●
Standard tool kit	●	●	●
Theft prevention system**	○	○	○

Standard and optional equipment may vary by country, so please consult your Hitachi dealer for details.

* Engine oil and hydraulic oil monitoring sensor.

** Hitachi Construction Machinery cannot be held liable for theft, any system will just minimize the risk of theft.

Prior to operating this machine, including satellite communication system, in a country other than a country of its intended use, it may be necessary to make modifications to it so that it complies with the local regulatory standards (including safety standards) and legal requirements of that particular country. Please do not export or operate this machine outside the country of its intended use until such compliance has been confirmed. Please contact your Hitachi dealer in case of questions about compliance.

These specifications are subject to change without notice. Illustrations and photos show the standard models, and may or may not include optional equipment, accessories, and all standard equipment with some differences in color and features. Before use, read and understand the Operator's Manual for proper operation.

