

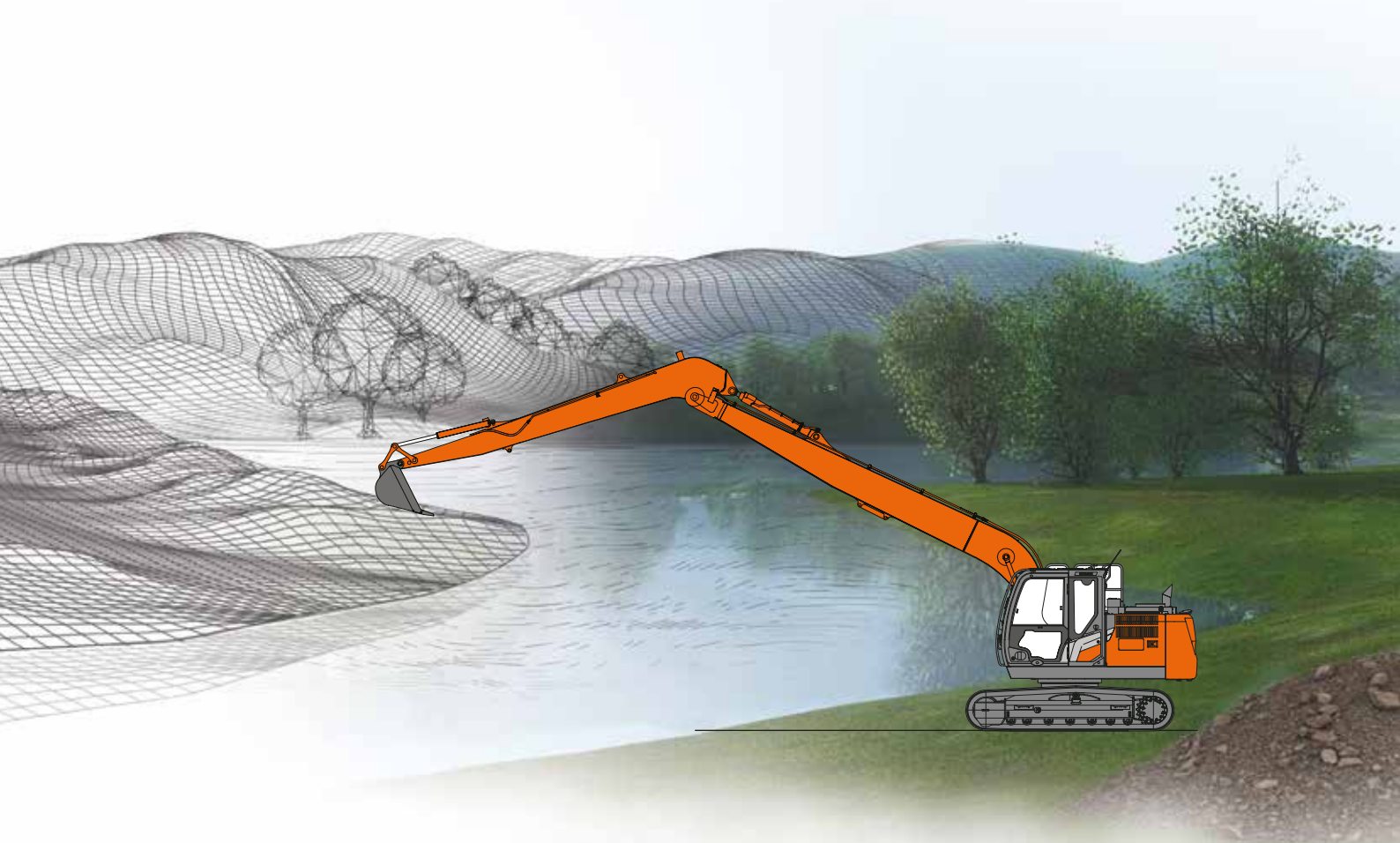
ZAXIS-7 series

HITACHI

Reliable solutions

# SUPER LONG FRONT

A P P L I C A T I O N   &   A T T A C H M E N T



## ZAXIS130<sub>LCN</sub>

Model Code	ZX130LCN-7
Engine Rated Power	74 kW
Operating Weight	14 900 - 15 400 kg

# SPECIFICATIONS

## ZX130LCN TYPE HE13 SUPER LONG FRONT

### ENGINE

Model .....	TOYOTA INDUSTRIES CORPORATION 1KDE
Type .....	4-cycle water-cooled, common rail direct injection
Aspiration .....	Turbocharged, intercooled, cooled EGR
Aftertreatment .....	DOC+CSF system
No. of cylinders .....	4
Rated power	
ISO 14396 : 2002 .....	74 kW at 2 000 min <sup>-1</sup>
ISO 9249 : 2007 .....	73 kW at 2 000 min <sup>-1</sup>
Maximum torque .....	390 Nm at 1 700 min <sup>-1</sup>
Piston displacement .....	2.982 L
Bore and stroke .....	96 mm x 103 mm
Batteries .....	2 x 12 V / 74 Ah

### HYDRAULIC SYSTEM

#### Hydraulic Pumps

Main pumps .....	2 variable displacement axial piston pumps
Maximum oil flow .....	2 x 117 L/min
Pilot pump .....	1 gear pump
Maximum oil flow .....	33.6 L/min

#### Hydraulic Motors

Travel .....	2 variable displacement axial piston motors
Swing .....	1 axial piston motor

#### Relief Valve Settings

Implement circuit .....	34.3 MPa
Swing circuit .....	27.8 MPa
Travel circuit .....	34.3 MPa
Pilot circuit .....	3.9 MPa
Power boost .....	36.3 MPa

#### Hydraulic Cylinders

	Quantity	Bore	Rod diameter
Boom	2	105 mm	70 mm
Arm	1	115 mm	80 mm
Bucket	1	85 mm	55 mm

### UPPERSTRUCTURE

#### Revolving Frame

D-section frame for resistance to deformation.

#### Swing Device

Axial piston motor with planetary reduction gear is bathed in oil. Swing circle is single-row. Swing parking brake is spring-set/hydraulic-released disc type.

Swing speed .....	9.2 min <sup>-1</sup> (rpm)
Swing torque .....	29.3 kNm (2 990 kgfm)

#### Operator's Cab

Independent spacious cab, 1 005 mm wide by 1 675 mm high, conforming to ISO\* Standards.

\* International Organization for Standardization

### UNDERCARRIAGE

#### Tracks

Heat-treated connecting pins with dirt seals. Hydraulic (grease) track adjusters with shock-absorbing recoil springs.

#### Numbers of Rollers and Shoes on Each Side

Upper rollers .....	2
Lower rollers .....	7
Track shoes .....	46
Track guard .....	1

#### Travel Device

Each track driven by 2-speed axial piston motor. Parking brake is spring-set/hydraulic-released disc type. Automatic transmission system: High-Low.

Travel speeds .....	High: 0 to 5.5 km/h
	Low: 0 to 3.3 km/h

Maximum traction force ... 117 kN

Gradeability .....

58% (30 degree) continuous

### ENVIRONMENT

#### Engine Emissions

EU Stage V

#### Sounds Level

##### ZX130-7

Sound level in cab according to ISO 6396 : 2008 ..... LpA 69 dB(A)

External sound level according to ISO 6395 : 2008 and

EU Directive 2000/14/EC ..... LwA 98 dB(A)

#### Air Conditioning System

The air conditioning system contains fluorinated greenhouse gases.

Refrigerant type: HFC-134a, GWP: 1430, Amount: 0.85 kg, CO<sub>2</sub>e: 1.22 ton.

### SERVICE REFILL CAPACITIES

Fuel tank .....	285.0 L
Engine coolant .....	19.0 L
Engine oil .....	19.1 L
Swing device .....	3.2 L
Travel device (each side) .....	4.2 L
Hydraulic system .....	198 L
Hydraulic oil tank .....	82.0 L

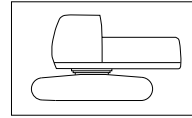
## WEIGHTS AND GROUND PRESSURE

### ZAXIS 130LCN TYPE HE13 SUPER LONG FRONT:

Equipped with 7.70 m monoblock boom, 5.30 m arm and 0.28 m<sup>3</sup> bucket (SAE, PCSA heaped), 3 700 kg counterweight.

Shoe type	Shoe width	Operating weight	Ground pressure
Triple grouser	500 mm	14 900 kg	45 kPa (0.46 kgf/cm <sup>2</sup> )
	600 mm	15 200 kg	38 kPa (0.39 kgf/cm <sup>2</sup> )
	700 mm	15 400 kg	33 kPa (0.34 kgf/cm <sup>2</sup> )

## Basic Machine Weight and Overall width



Excluding front end attachment.  
Including counterweight.

### ZX130LCN

Shoe width	Weight	Overall width
500 mm	12 400 kg	2 490 mm
600 mm	12 600 kg	2 590 mm
700 mm	12 800 kg	2 690 mm

## BUCKET SPECIFICATIONS AND COMPATIBILITY

### ZAXIS 130LCN

	Capacity ISO heaped	Width Without side cutters	Weight	Recommendation
				ZX130LCN
				HE13
Bucket radius 1 060 mm	0.13 m <sup>3</sup>	360 mm	140 kg	◎
	0.17 m <sup>3</sup>	450 mm	170 kg	◎
	0.19 m <sup>3</sup>	490 mm	180 kg	◎
	0.23 m <sup>3</sup>	560 mm	190 kg	◎
	0.28 m <sup>3</sup>	660 mm	210 kg	◎
	0.33 m <sup>3</sup>	770 mm	230 kg	□
Slope finishing	-	1 500 mm	250 kg	◇
Max. weight				750 kg

◎ Suitable for materials with density of 1 800 kg/m<sup>3</sup> or less

○ Suitable for materials with density of 1 600 kg/m<sup>3</sup> or less

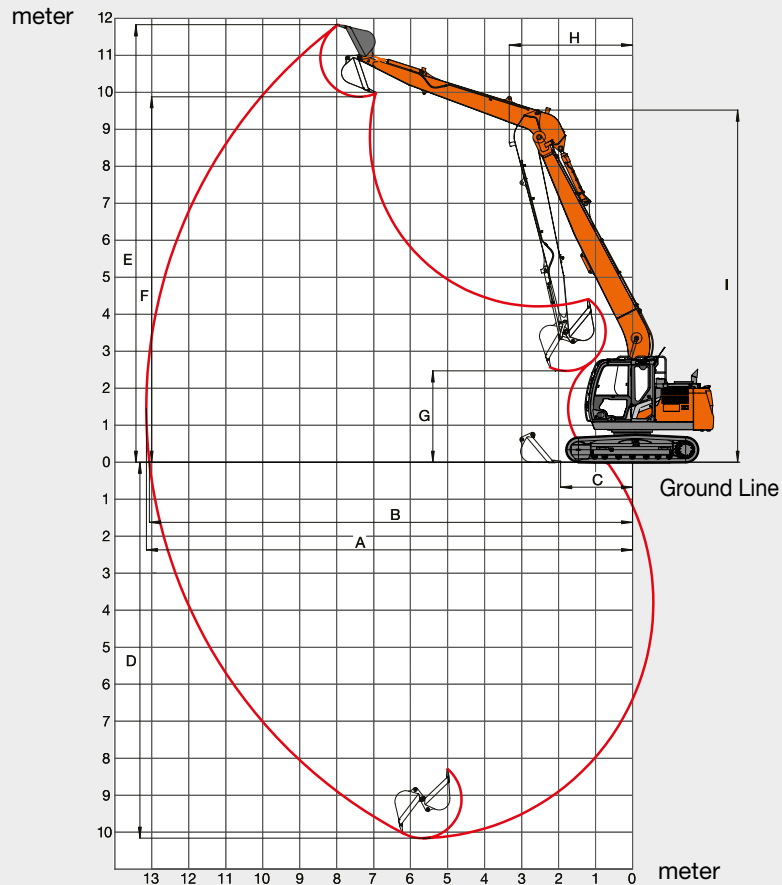
□ Suitable for materials with density of 1 100 kg/m<sup>3</sup> or less

◇ Slope-finishing service

# SPECIFICATIONS

## ZX130LCN TYPE HE13 SUPER LONG FRONT

### WORKING RANGES

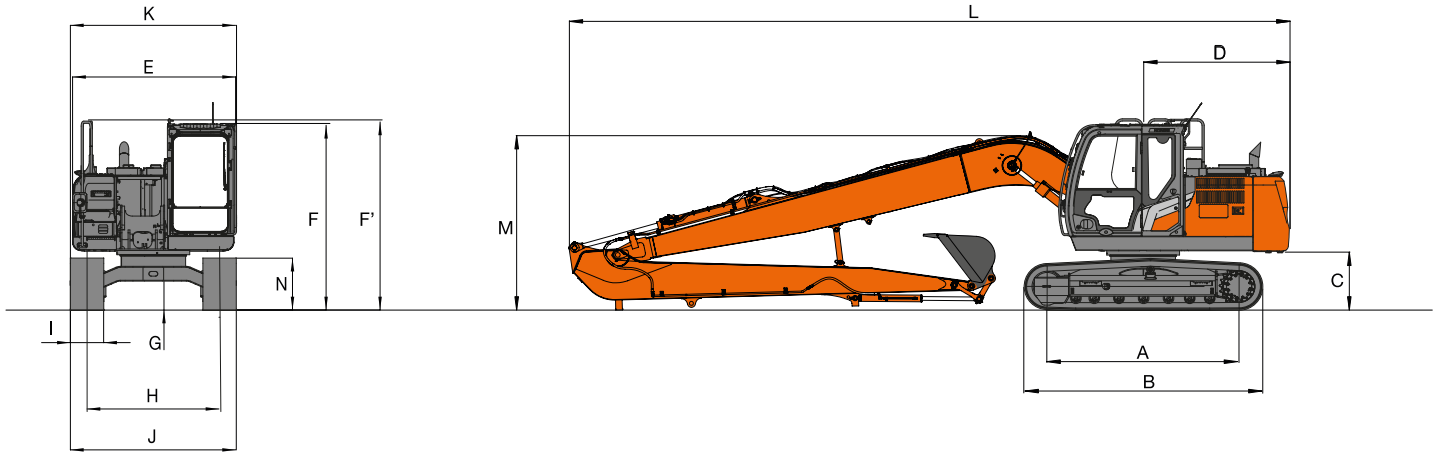


Unit: mm

	ZAXIS 130LCN TYPE HE13
A Max. digging reach	13 140
B Max. digging reach (on ground)	13 060
C Min. level crowding distance	1 940
D Max. digging depth	10 160
E Max. cutting height	11 820
F Max. dumping height	9 880
G Min. dumping height	2 470
H Min. swing radius	3 330
I Min. swing radius height	9 520
Bucket digging force ISO	39 kN
Arm crowd force ISO	27 kN

- Excluding track shoe lug

## DIMENSIONS



Unit: mm

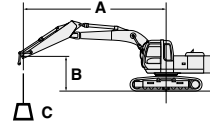
	ZAXIS 130LCN TYPE HE13
A Distance between tumblers	3 050
B Undercarriage length	3 750
* C Counterweight clearance	840
D Rear-end swing radius	2 190
E Overall width of upperstructure	2 460
F Overall height of cab	2 790
F' Overall height of upperstructure	2 870
* G Min. ground clearance	410
H Track gauge	1 990
I Track shoe width	G 500 / G 600 / G 700
J Undercarriage width	2 490 / 2 590 / 2 690
K Overall width	2 490 / 2 590 / 2 690
L Overall length	10 770
M Overall height of boom	2 580
N Track height with triple grouser shoes	790

\* Excluding track shoe lug      G: Triple grouser shoe

# LIFTING CAPACITIES

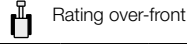
## Metric measure

- Notes: 1. Ratings are based on ISO 10567.  
 2. Lifting capacity of the ZAXIS series does not exceed 75% of tipping load with the machine on firm, level ground or 87% full hydraulic capacity.  
 3. The load point is the center-line of the bucket pivot mounting pin on the arm.  
 4. \* Indicates load limited by hydraulic capacity.  
 5. 0m = Ground.  
 For lifting capacities, subtract bucket and quick hitch weight from lifting capacities.



A: Load radius  
 B: Load point height  
 C: Lifting capacity

### ZAXIS 130LCN HE13 SUPER LONG FRONT



Rating over-front



Rating over-side or 360 degrees

Unit: kg

Conditions	Load point height m	Load radius													
		2 m		3 m		4 m		5 m		6 m		7 m		8 m	
		Rating over-front	Rating over-side or 360 degrees	Rating over-front	Rating over-side or 360 degrees	Rating over-front	Rating over-side or 360 degrees	Rating over-front	Rating over-side or 360 degrees	Rating over-front	Rating over-side or 360 degrees	Rating over-front	Rating over-side or 360 degrees	Rating over-front	Rating over-side or 360 degrees
Boom: 7.7 m	11														
Arm 5.3 m	10													1 190*	
Counterweight: 3 300 kg	9													1 190*	
Additional counterweight: 400 kg	8													1 200*	
500 mm shoe	7													1 240*	
	6													1 310*	
	5											1 500*	1 500*	1 310*	
	4											1 660*	1 660*	1 530*	
	3			4 450*	4 450*	3 160*	3 160*	2 100*	2 100*	1 840*	1 840*	1 660*	1 660*	1 530*	
	2			1 870*	1 870*	3 860*	3 860*	2 510*	2 510*	2 110*	2 110*	1 850*	1 850*	1 660*	
	1			1 240*	1 240*	3 170*	3 170*	3 300*	2 880*	2 640*	2 270*	2 220*	1 840*	1 930*	
0 (Ground)	0			1 310*	1 310*	2 540*	2 540*	3 570*	2 700*	2 850*	2 140*	2 380*	1 740*	2 050*	
	-1	1 110*	1 110*	1 560*	1 560*	2 490*	2 490*	3 750*	2 580*	3 000*	2 040*	2 500*	1 670*	2 140*	
	-2	1 470*	1 470*	1 870*	1 870*	2 670*	2 670*	3 830*	2 520*	3 090*	1 980*	2 580*	1 620*	2 210*	
	-3	1 820*	1 820*	2 220*	2 220*	2 970*	2 970*	3 830*	2 510*	3 120*	1 950*	2 520*	1 590*	2 200*	
	-4	2 180*	2 180*	2 600*	2 600*	3 350*	3 350*	3 760*	2 520*	3 090*	1 950*	2 610*	1 580*	2 190*	
	-5	2 560*	2 560*	3 020*	3 020*	3 820*	3 820*	3 610*	2 560*	3 000*	1 980*	2 540*	1 600*	2 180*	
	-6	2 970*	2 970*	3 490*	3 490*	4 150*	3 660*	3 400*	2 620*	2 840*	2 020*	2 410*	1 630*	2 070*	
	-7	3 410*	3 410*	4 030*	4 030*	3 730*	3 730*	3 080*	2 710*	2 590*	2 090*	2 200*	1 690*	1 870*	
	-8			3 900*	3 900*	3 170*	3 170*	2 650*	2 650*	2 230*	2 180*	1 870*	1 770*	1 410*	
	-9							2 020*	2 020*						

Conditions	Load point height m	Load radius								At max. reach		
		9 m		10 m		11 m		12 m		Meters	Rating over-front	Rating over-side or 360 degrees
		Rating over-front	Rating over-side or 360 degrees	Rating over-front	Rating over-side or 360 degrees	Rating over-front	Rating over-side or 360 degrees	Rating over-front	Rating over-side or 360 degrees			
Boom: 7.7 m	11									8.5	970*	970*
Arm 5.3 m	10									9.4	930*	930*
Counterweight: 3 300 kg	9									10.1	920*	920*
Additional counterweight: 400 kg	8	1 140*	1 140*							10.7	910*	910*
500 mm shoe	7	1 220*	1 220*	990*	990*					11.2	920*	920*
	6	1 270*	1 270*	1 210*	1 210*					11.5	940*	930*
	5	1 340*	1 340*	1 280*	1 250*	1 050*	1 030*			11.8	970*	870*
	4	1 420*	1 420*	1 340*	1 210*	1 280*	1 010*			12	1 000*	820*
	3	1 520*	1 400*	1 410*	1 170*	1 330*	980*			12.1	1 050*	790*
	2	1 620*	1 340*	1 490*	1 120*	1 380*	950*	1 130*	800	12.1	1 120*	770*
	1	1 720*	1 280*	1 560*	1 080*	1 440*	920*	1 200*	780	12	1 200*	770*
0 (Ground)	0	1 810*	1 220*	1 630*	1 040*	1 460*	890*			11.8	1 300*	770*
	-1	1 880*	1 180*	1 660*	1 010*	1 440*	870*			11.6	1 330*	790*
	-2	1 890*	1 150*	1 630*	980*	1 430*	850*			11.2	1 390*	830*
	-3	1 870*	1 130*	1 620*	970*	1 420*	850*			10.8	1 470*	880*
	-4	1 870*	1 120*	1 620*	970*					10.2	1 590*	970*
	-5	1 880*	1 140*	1 630*	990*					9.5	1 640*	1 100*
	-6	1 770*	1 170*							8.6	1 690*	1 300*
	-7									7.4	1 730*	1 650*
	-8									5.9	1 720*	1 720*
	-9											

# EQUIPMENT

ENGINE	
Aftertreatment device	●
Air cleaner double filters	●
Alternator 60 A	●
Auto idle system	●
Auto shut-down control	●
Belt auto tensioner	●
Cartridge-type engine oil filter	●
Cartridge-type fuel main filter	●
Cold fuel resistance valve	○
ConSite OIL (sensor)*	●
Dry-type air filter with evacuator valve (with air filter restriction indicator)	●
Dust-proof indoor net	●
ECO/PWR mode control	●
Electrical fuel feed pump	●
Engine oil drain coupler	●
Expansion tank	●
Fan guard	●
Fuel cooler	●
Fuel pre-filter with water separator	●
Isolation-mounted engine	●
Maintenance free pre-cleaner	○
Oil separator	●
Radiator, oil cooler and intercooler	●

HYDRAULIC SYSTEM	
Auto power lift	●
ConSite OIL (sensor)*	●
Control valve with main relief valve	●
Extra port for control valve	●
High mesh full flow filter	●
Restriction indicator for full flow filter	○
Hose rupture valve for arm cylinder	●
Hose rupture valve for boom cylinder	●
Pilot filter	●
Power boost	●
Suction filter	●
Variable reliefvalve for breaker and crusher	●
Work mode selector	●

CAB	
All-weather sound suppressed steel cab	●
Auto control air conditioner	●
AUX function lever (breaker assist)	○
Bluetooth® integrated DAB+radio	●
Console height adjustment	●
Control lever auto-lock	●
CRES VII (center pillar reinforced structure) cab	●
Cab with P5A glass and roof wiper	○
Drink holder with hot and cool function	●
Electric double horn	●
Engine shut-off switch	●
Equipped with reinforced, tinted (green color) glass windows	●
Evacuation hammer	●
Floor mat	●
Footrest	●
Front window washer (2 points)	●
Glove compartment	●
Hands-free calling device	●
Hot and cool box	●
Intermittent windshield wipers	●
Key cylinder light	●
Laminated round glass window	○
LED room light	●
Magazine rack	●
OPG front guard Level II (ISO 10262 : 1998) compliant	○
OPG top guard Level I (ISO 10262 : 1998) compliant	●
OPG top guard Level II (ISO 10262 : 1998) compliant	○
Pilot shut-off lever	●
Power outlet 12 V and 24 V	●
Push button low idle	●
Rain guard (without OPG front guard)	●
Rear tray	●
Retractable seat belt	●
ROPS (ISO 12117-2 : 2008) compliant cab	●
Rubber radio antenna	●
Seat : air suspension seat with heater	●
Seat adjustment part : backrest, armrest, height and angle, slide forward / back	●
Seat belt reminder	●
Short wrist control levers	●
Smartphone holder	●
Sunscreen roller type (multi-use front or side and rear window)	○
Transparent roof with slide curtain	●
5V USB power supply	●
Wide view wiper	●
Windows on front, upper, lower and left side can be opened	●
2 speakers	●
4 fluid-filled elastic mounts	●
8 inch monitor	●

● : Standard equipment ○ : Optional equipment — : Not applicable

MONITOR SYSTEM	
Alarms: overheat, engine warning, engine oil pressure, alternator, minimum fuel level, hydraulic filter restriction, air filter restriction, work mode, overload, etc	●
Alarm buzzers: overheat, engine oil pressure, overload, etc	●
Display of meters: water temperature, hour, fuel rate, clock, etc	●
Other displays: work mode, auto-idle, glow, rearview monitor, operating conditions, etc	●
35 languages selection	●

LIGHTS	
Additional boom LED light with cover	○
Additional cab roof front LED lights	○
Additional cab roof rear LED light	○
LED lights for camera (side and rear view camera)	○
Rotating lamp	○
2 working LED lights	●

UPPER STRUCTURE	
Aerial Angle® (270-degree view camera system)	●
Batteries 2 x 74 Ah	●
Battery disconnect switch	●
Cab top handhold	●
Body top handrail	●
Counterweight 3 300 kg	●
Additional counterweight 400 kg	●
Electric fuel refilling pump with auto stop and filter	●
Fuel level float	●
Hydraulic oil level gauge	●
Lockable fuel refilling cap	●
Lockable machine covers	●
Lockable tool box	●
Platform handrail	●
Side view mirror (right and left)	●
Skid-resistant plates	●
Swing parking brake	●
Undercover	●

UNDERCARRIAGE	
Bolt-on sprocket	●
Greasing type track adjuster	●
Reinforced track links with pin seals	●
Shoe: 500 mm triple grouser	●
Shoe: 600, 700 mm triple grouser	○
Towing hole for light weight object	●
Track undercover	●
Travel direction mark on track frame	●
Travel motor covers	●
Travel parking brake	●
Upper and lower rollers	●
1 track guard (each side)	●
2 track guards (each side)	○
4 tie down brackets	●

FRONT ATTACHMENTS	
Casted bucket link A	●
Centralized lubrication system	●
Dirt seal on all bucket pins	●
Flanged pin	●
HN bushing	●
Reinforced resin thrust plate	●
STD bucket Link B	●
WC (tungsten-carbide) thermal spraying	●

ATTACHMENTS	
Accessories for 2 speed selector	○
Additional pump or PTO valve	○
Assist piping long/short	●
Extra piping long/short	●
Pilot accumulator	●

MISCELLANEOUS	
ConSite	○
Global e-service	●
Onboard information controller	●
Standard tool kit	●

Standard and optional equipment may vary by country, so please consult your Hitachi dealer for details.

Prior to operating this machine, including satellite communication system, in a country other than a country of its intended use, it may be necessary to make modifications to it so that it complies with the local regulatory standards (including safety standards) and legal requirements of that particular country. Please do not export or operate this machine outside the country of its intended use until such compliance has been confirmed. Please contact your Hitachi dealer in case of questions about compliance.

These specifications are subject to change without notice.

Illustrations and photos show the standard models, and may or may not include optional equipment, accessories, and all standard equipment with some differences in color and features. Before use, read and understand the Operator's Manual for proper operation.